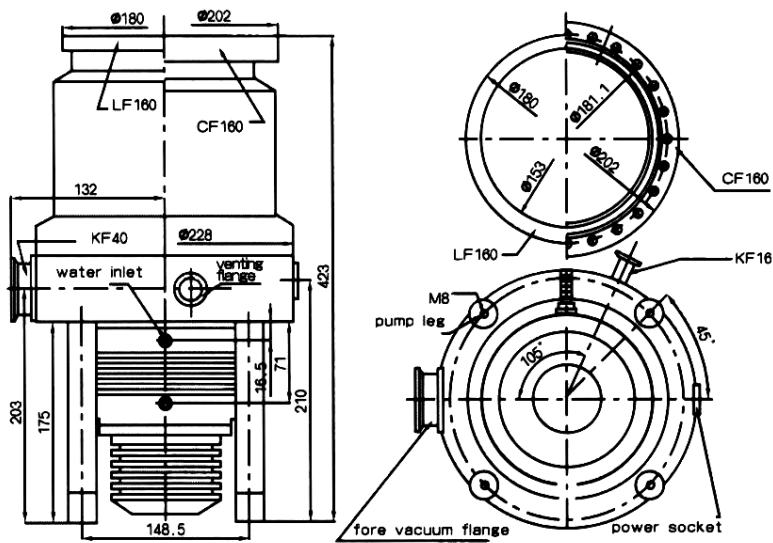
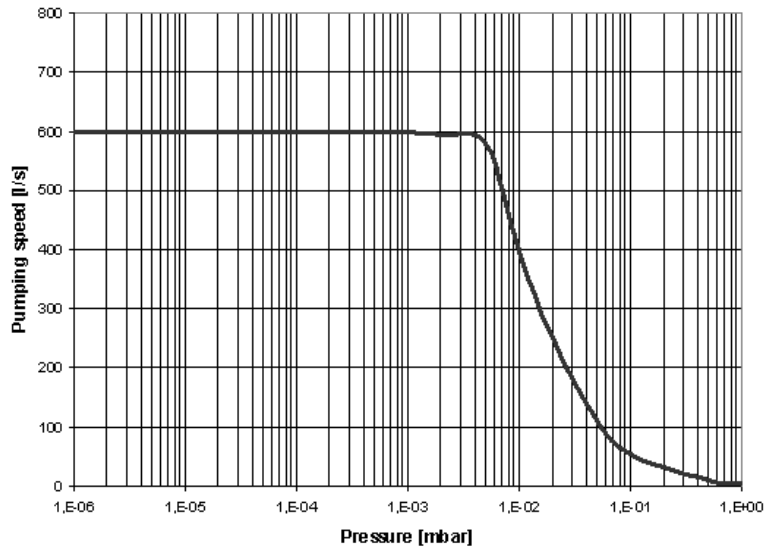


TYPE EVT-620ZE



TYPE EVT-620ZE

Technical Data		TYPE EVT-620ZE	
		620ZE-LF	620ZE-CF
Pump type		Compound/Drag	Compound/Drag
Inlet Flange		160 ISO-K	160 CF
Fore vacuum Flange		40 KF	40 KF
Pumping speed (air)	l/s	600	600
Pressure for max. speed	mbar	1×10^{-2}	1×10^{-2}
Rotation Speed	rpm	27.000	27.000
H ₂ Compression Ratio		6×10^3	6×10^3
N ₂ Compression Ratio		1×10^9	1×10^9
Ultimate Vacuum	mbar	6×10^{-8}	6×10^{-9}
Run up Time	min	<5	<5
Control Unit		FD-600KW	FD-600KW
Input Voltage	VAC	220/110 ±10%	220/110 ±10%
Cooling water	l/min	> 2	> 2
Bearing type		Ceramic Grease	Ceramic Grease
Operating Orientation		Any	Any
Weight	kg	29	29

Ordering Information	TYPE EVT-620ZE	
	620ZE-LF	620ZE-CF
Turbo drag pump EVT-620ZE incl. splinter screen	806.100	806.101
Control unit type FD-600KW	806.110	806.110
Cable 2,5 m	806.011	806.011
Cable 5 m	806.012	806.012
Cable 10 m	806.013	806.013
Cable 20 m	806.014	806.014
Other lengths	Upon request	Upon request
Heating jacket 230V AC	806.020	806.020
Venting valve NC 230V AC, 50/60Hz	250.533	
Venting valve NC 24V AC, 50/60Hz	250.531	
Venting valve NC 24V, DC	250.530	
Filter for venting valves	215.152	
Venting valve NO 200-230V, 50/60Hz	250.851	
Venting valve NO 24V, DC	250.850	
Delayed venting unit	Upon request	
Aircooling unit R-XT, 90 - 264V AC, 50/60Hz	800.010	
12V, DC	800.011	
Recommended fore pump: Standard operation Type EVD-TRP-36, 400V AC	423.902	
Purge gas operation Type EVD-TRP-48, 400V AC	424.902	
Also Dry pumps can be used		