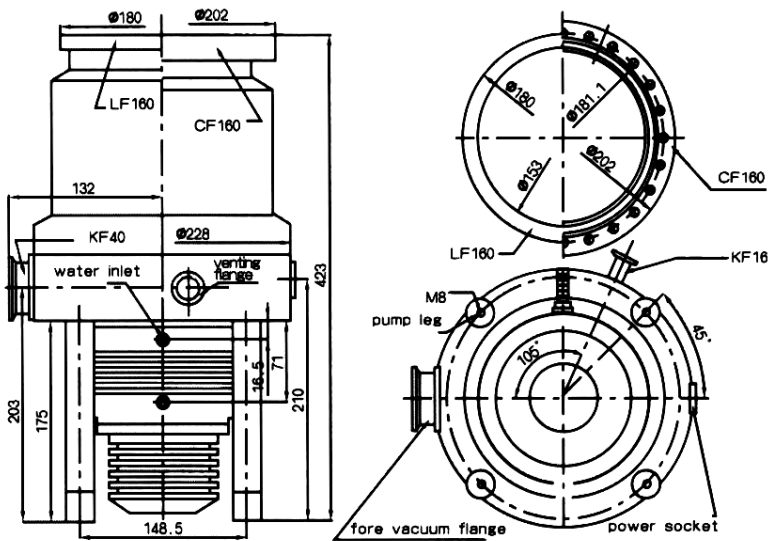
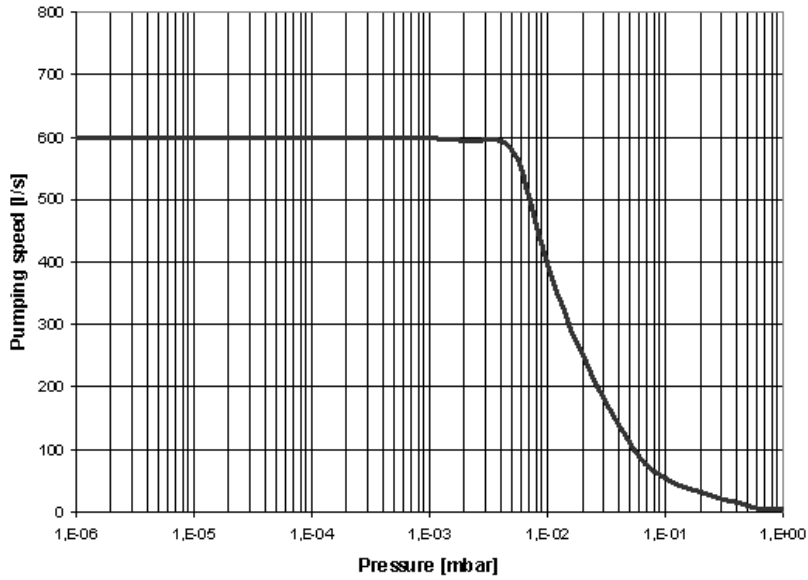


# TYPE EVT-620NE

For chemical applications



# TYPE EVT-620NE

For chemical applications

Technical Data		TYPE EVT-620NE	
		620NE-LF	620NE-CF
Pump type		Compound/Drag	Compound/Drag
Inlet Flange		160 ISO-K	160 CF
Fore vacuum Flange		40 KF	40 KF
Pumping speed (air)	l/s	600	600
Pressure for max. speed	mbar	$1 \times 10^{-2}$	$1 \times 10^{-2}$
Rotation Speed	rpm	27.000	27.000
H <sub>2</sub> Compression Ratio		$6 \times 10^3$	$6 \times 10^3$
N <sub>2</sub> Compression Ratio		$1 \times 10^9$	$1 \times 10^9$
Ultimate Vacuum	mbar	$6 \times 10^{-8}$	$6 \times 10^{-9}$
Run up Time	min	<5	<5
Control Unit		FD-600K	FD-600K
Input Voltage	VAC	220/110 ±10%	220/110 ±10%
Purge port		16 KF	16 KF
Cooling water	l/min	> 2	> 2
Bearing type		Ceramic Oil	Ceramic Oil
Operating Orientation		Vertical (± 5°)	Vertical (± 5°)
Weight	kg	29	29

Ordering Information	TYPE EVT-620NE	
	620NE-LF	620NE-CF
<b>Turbo drag pump EVT-620NE</b> incl. splinter screen	806.200	806.201
<b>Control unit type FD-600K</b>	806.210	806.210
Cable 2,5 m	806.011	806.011
Cable 5 m	806.012	806.012
Cable 10 m	806.013	806.013
Cable 20 m	806.014	806.014
Other lengths	Upon request	Upon request
Heating jacket 230V AC	806.020	806.020
Venting valve NC 230V AC, 50/60Hz	250.533	
Venting valve NC 24V AC, 50/60Hz	250.531	
Venting valve NC 24V, DC	250.530	
Filter for venting valves	215.152	
Venting valve NO 200-230V, 50/60Hz	250.851	
Venting valve NO 24V, DC	250.850	
Delayed venting unit	Upon request	
Aircooling unit R-XT, 90 - 264V AC, 50/60Hz	800.010	
12V, DC	800.011	
Fore pump	Upon request	