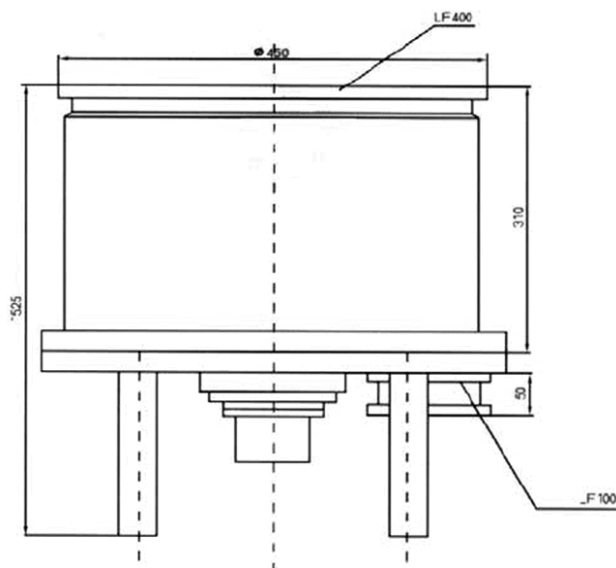
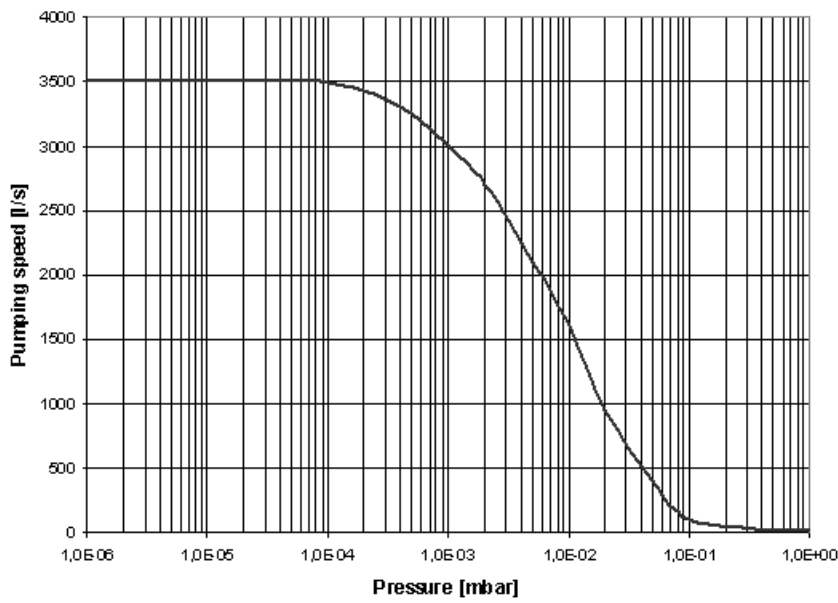


# TYPE EVT-3500E



## TYPE EVT-3500E

Technical Data		TYPE EVT-3500E
		3500E-LF
Pump type		Classic Turbo
Inlet Flange		400 ISO-K
Fore vacuum Flange		100 ISO-K
Pumping speed (air)	l/s	3.500
Pressure for max. speed	mbar	$1 \times 10^{-2}$
Rotation Speed	rpm	13.500
H <sub>2</sub> Compression Ratio		$5 \times 10^2$
N <sub>2</sub> Compression Ratio		$> 1 \times 10^8$
Ultimate Vacuum	mbar	$6 \times 10^{-8}$
Run up Time	min	<20
Control Unit		FD-3500K
Input Voltage	VAC	220 ±10%
Cooling water	l/min	> 2
Bearing type		Ceramic Oil
Operating Orientation		Vertical (± 5°)
Weight	kg	120

Ordering Information	TYPE EVT-3500E
	3500E-LF
<b>Turbo drag pump EVT-3500E</b> incl. splinter screen	835.000
<b>Control unit type FD-3500K</b>	835.010
Cable 2,5 m	835.011
Cable 5 m	835.012
Cable 10 m	835.013
Cable 20 m	835.014
Other lengths	Upon request
Heating jacket 230V AC	Upon request
Venting valve NC 230V AC, 50/60Hz	250.533
Venting valve NC 24V AC, 50/60Hz	250.531
Venting valve NC 24V, DC	250.530
Filter for venting valves	215.152
Venting valve NO 200-230V, 50/60Hz	250.851
Venting valve NO 24V, DC	250.850
Delayed venting unit	Upon request
Aircooling unit R-XT, 90 - 264V AC, 50/60Hz	800.010
12V, DC	800.011
Recommended fore pump: Standard operation Type EVD-TRP-90, 400V AC	426.902
Purge gas operation Fore pump + Roots Also Dry pumps can be used	Upon request