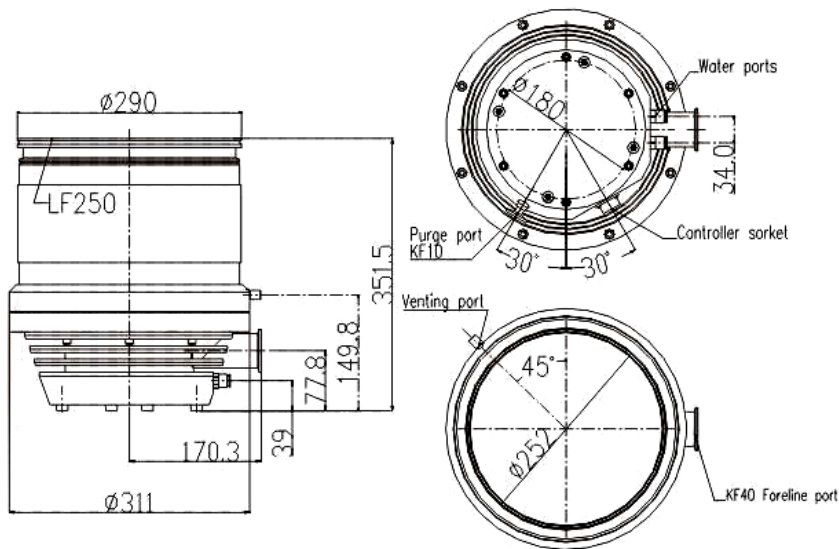
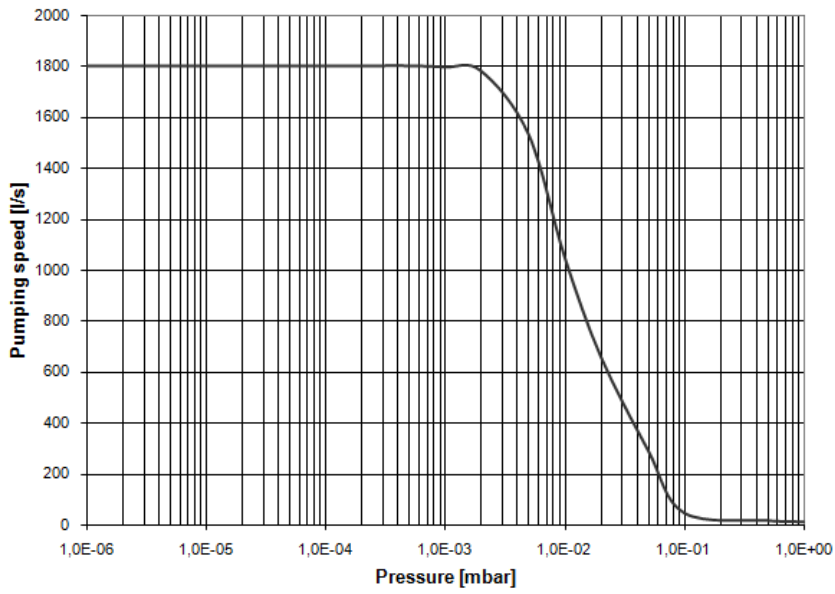


TYPE EVT-1800E



TYPE EVT-1800E

Technical Data		TYPE EVT-1800E
		1800E-LF
Pump type		Compound/Drag
Inlet Flange		250 ISO-K
Fore vacuum Flange		40 KF
Pumping speed (air)	l/s	1.800
Rotation Speed	rpm	27.000
H ₂ Compression Ratio		6x10 ³
N ₂ Compression Ratio		1x10 ⁸
Ultimate Vacuum	mbar	6x10 ⁻⁹
Run up Time	min	<7,5
Control Unit		FD-II 1800K
Input Voltage	VAC	220 ±10%
Cooling water	°C	<25
Bearing type		Ceramic Grease
Operating Orientation		Any
Weight	kg	40
Purge flange		10 KF
Venting port	mm	Ø 1

Ordering Information	TYPE EVT-1800E
	1800E-LF
Turbo drag pump EVT-1800E incl. splinter screen & venting port	818.000
Control unit type FD-II 1800K	818.010
Cable 2,5 m	818.011
Cable 5 m	818.012
Cable 10 m	818.013
Cable 20 m	818.014
Other lengths	Upon request
Heating jacket 230V AC	Upon request
Aircooling unit R-XT, 90 - 264V AC, 50/60Hz	800.010
12V, DC	800.011
Recommended fore pump: Standard operation Type EVD-TRP-60, 400V AC	425.902
Purge gas operation Type EVD-TRP-90, 400V AC Also Dry pumps can be used	426.902