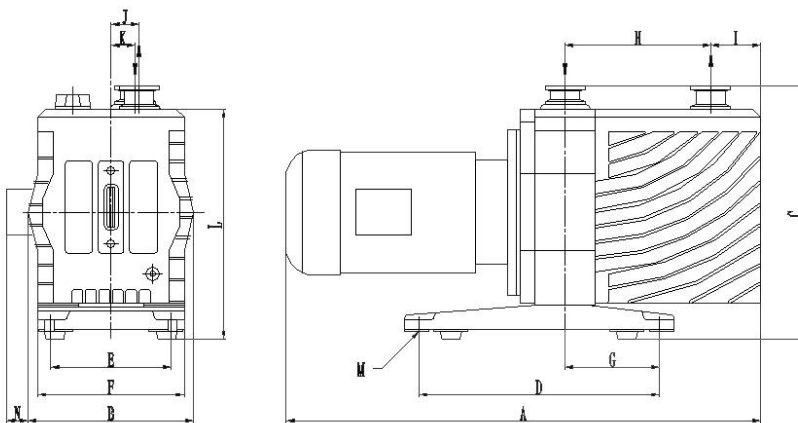
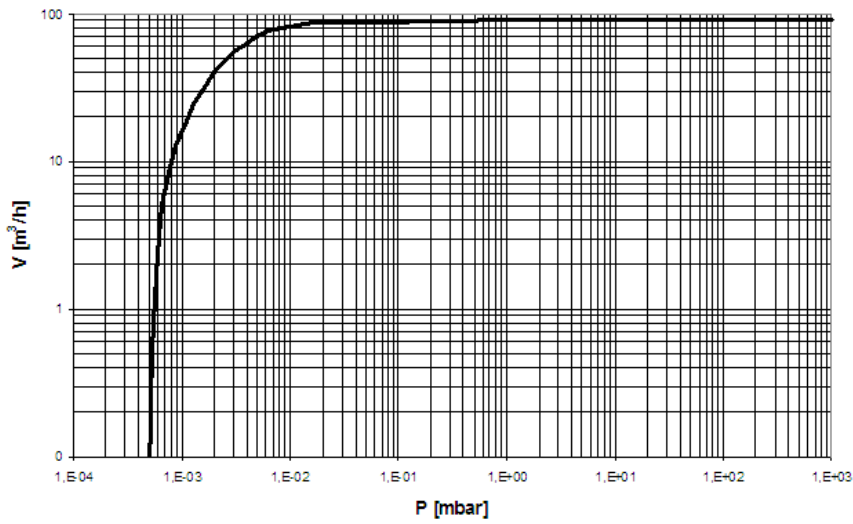


TYPE EVD-90



Pumping speed curve



Dimensions	A	B	C	D	E	F	G	H	I	J	K	L	M	N
EVD-90	801/780	280	410	600	185	245	360	295	95	28	45	385	Ø14	0

TYPE EVD-90

Technical Data		TYPE EVD-90	
		50 Hz	60 Hz
Nominal displacement	m ³ /h	90	105
Ultimate partial pressure	mbar	10 ⁻⁴	10 ⁻⁴
Ultimate total pressure	mbar	4x10 ⁻³	4x10 ⁻³
Motor power	kW	3,0	3,0
Nominal speed	rpm	1450	1750
Water vapor tolerance	mbar	50	50
Noise level	dB	56	58
Oil capacity	ltr	6,5	6,5
Weight	kg	88	88
Admissible ambient temp.	°C	10 to 40	10 to 40
Connection	Inlet	DIN 40 KF	40 KF
	Outlet	DIN 40 KF	40 KF

Ordering Information	TYPE EVD-90	
	50 Hz	60 Hz
Three phase motor 400V, 50Hz (IEC) 400V, 60Hz (IEC) 400V, 60Hz (NEMA)	426.902	426.903 426.904
Other Voltages/Frequencies	Upon request	
Filling with special oil	Upon request	
Exhaust oil vapor filter	424.910	
Gasket set	426.911	
Maintenance kit	426.912	
Pump module	426.913	
Inlet dust filter, paper cartridge	423.914	
EV-Highvacuum Oil-60		
1 ltr can	100.400	
2,5 ltr can	100.401	
5 ltr can	100.402	
20 ltr can	100.403	