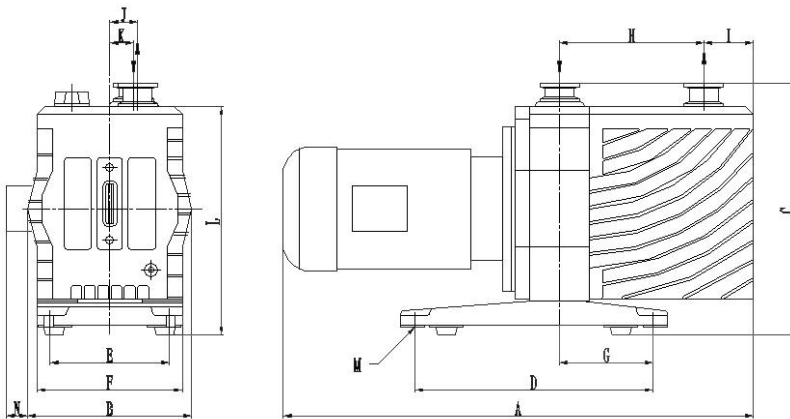
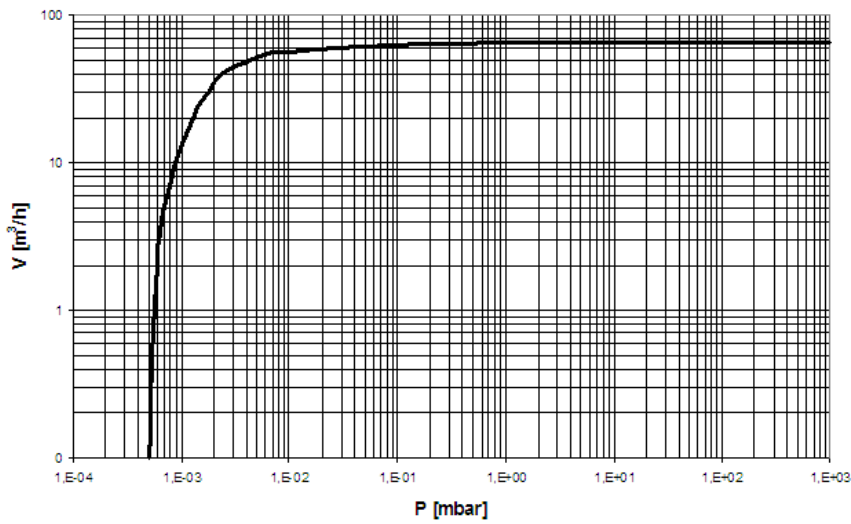


TYPE EVD-60



Pumping speed curve



Dimensions	A	B	C	D	E	F	G	H	I	J	K	L	M	N
EVD-60	730	280	410	550	185	245	310	245	95	28	45	385	Ø14	0

TYPE EVD-60

Technical Data		TYPE EVD-60	
		50 Hz	60 Hz
Nominal displacement	m ³ /h	65	78
Ultimate partial pressure	mbar	10 ⁻⁴	10 ⁻⁴
Ultimate total pressure	mbar	4x10 ⁻³	4x10 ⁻³
Motor power	kW	2,2	2,2
Nominal speed	rpm	1450	1750
Water vapor tolerance	mbar	50	50
Noise level	dB	56	58
Oil capacity	ltr	5,5	5,5
Weight	kg	83	83
Admissible ambient temp.	°C	10 to 40	10 to 40
Connection	Inlet	DIN 40 KF	40 KF
	Outlet	DIN 40 KF	40 KF

Ordering Information	TYPE EVD-60	
	50 Hz	60 Hz
Three phase motor 400V, 50Hz (IEC) 400V, 60Hz (IEC) 400V, 60Hz (NEMA)	425.902	425.903 425.904
Other Voltages/Frequencies	Upon request	
Filling with special oil	Upon request	
Exhaust oil vapor filter	424.910	
Gasket set	425.911	
Maintenance kit	425.912	
Pump module	425.913	
Inlet dust filter, paper cartridge	423.914	
EV-Highvacuum Oil-60		
1 ltr can	100.400	
2,5 ltr can	100.401	
5 ltr can	100.402	
20 ltr can	100.403	