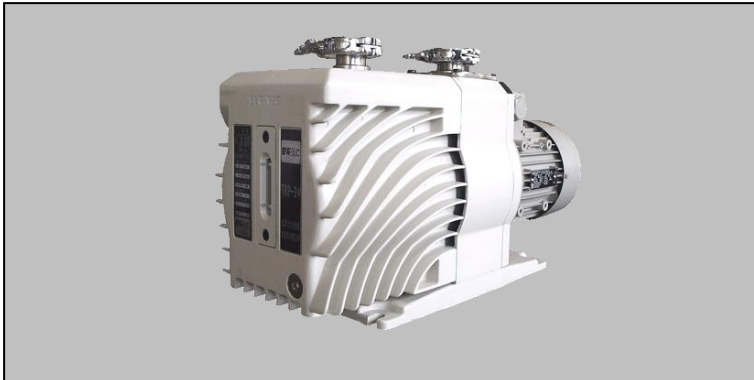
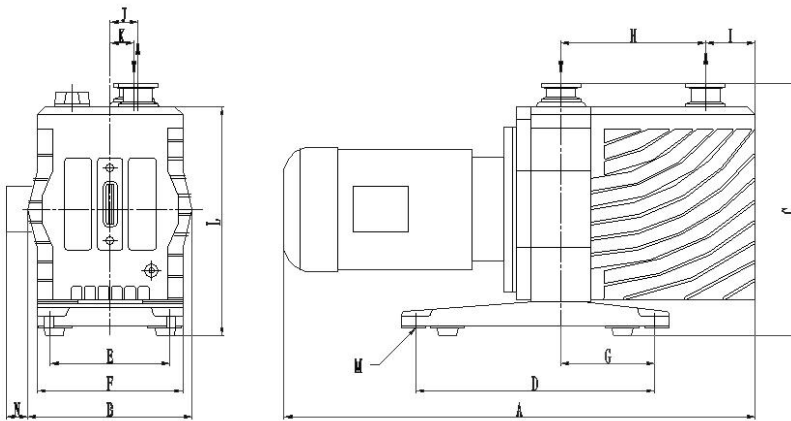
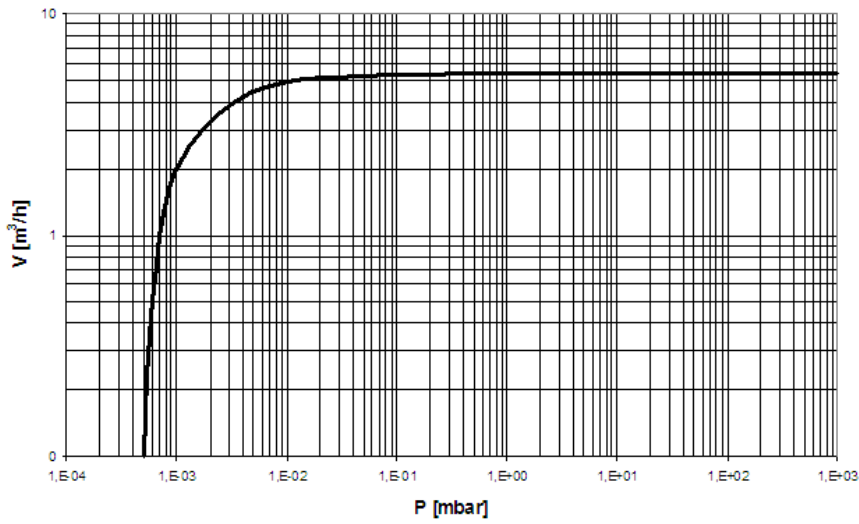


TYPE EVD-6



Pumping speed curve



Dimensions	A	B	C	D	E	F	G	H	I	J	K	L	M	N
EVD-6	470	165	252	240	120	146	94	120	50	24	28	229	Ø9	53



TYPE EVD-6

Technical Data		TYPE EVD-6	
		50 Hz	60 Hz
Nominal displacement	m ³ /h	5,4	6,5
Ultimate partial pressure	mbar	10 ⁻⁴	10 ⁻⁴
Ultimate total pressure	mbar	4x10 ⁻³	4x10 ⁻³
Motor power	kW	0,37	0,37
Nominal speed	rpm	1450	1750
Water vapor tolerance	mbar	50	50
Noise level	dB	50	52
Oil capacity	ltr	1,3	1,3
Weight	kg	23	23
Admissible ambient temp.	°C	10 to 40	10 to 40
Connection	Inlet	DIN 25 KF	25 KF
	Outlet	DIN 25 KF	25 KF

Ordering Information	TYPE EVD-6	
	50 Hz	60 Hz
Single phase motor 230V, 50/60 Hz (IEC)	420.901	420.901
Three phase motor 400V, 50Hz (IEC) 400V, 60Hz (IEC) 400V, 60Hz (NEMA)	420.902	420.903 420.904
Other Voltages/Frequencies	Upon request	
Filling with special oil	Upon request	
Exhaust oil vapor filter (side exhaust)	420.910	
Gasket set	420.911	
Maintenance kit	420.912	
Pump module	420.913	
Inlet dust filter, paper cartridge	420.914	
EV-Highvacuum Oil-60		
1 ltr can	100.400	
2,5 ltr can	100.401	
5 ltr can	100.402	
20 ltr can	100.403	