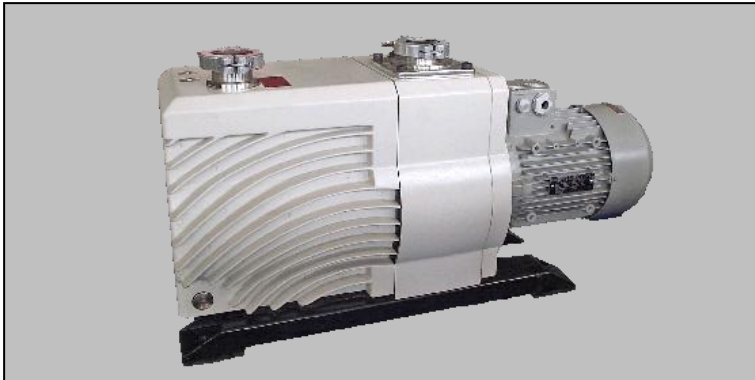
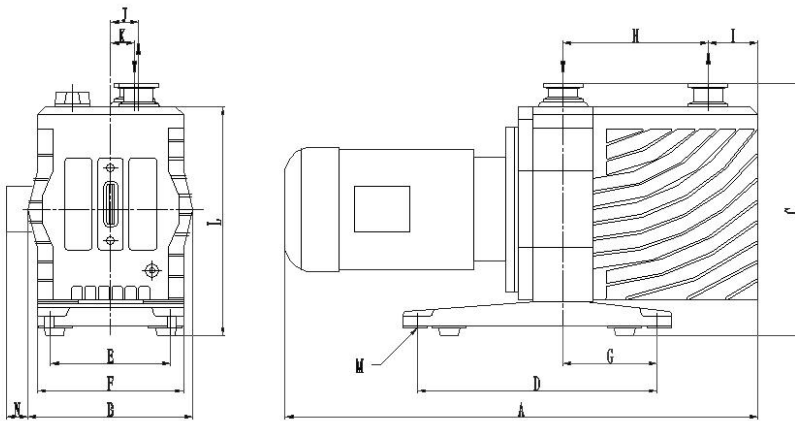
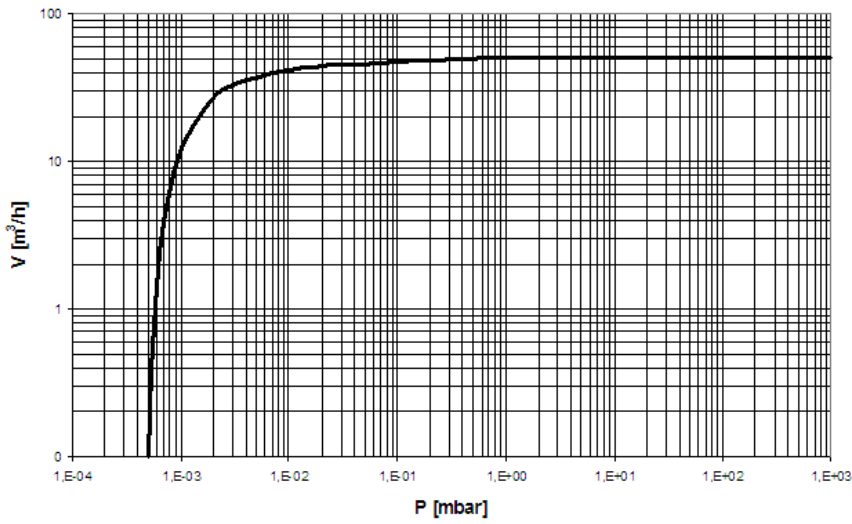


TYPE EVD-48



Pumping speed curve



Dimensions	A	B	C	D	E	F	G	H	I	J	K	L	M	N
EVD-48	680	250	335	485	155	215	290	235	80	28	45	310	Ø14	20



TYPE EVD-48

Technical Data		TYPE EVD-48	
		50 Hz	60 Hz
Nominal displacement	m ³ /h	50	60
Ultimate partial pressure	mbar	10 ⁻⁴	10 ⁻⁴
Ultimate total pressure	mbar	4x10 ⁻³	4x10 ⁻³
Motor power	kW	1,5	1,5
Nominal speed	rpm	1450	1750
Water vapor tolerance	mbar	50	50
Noise level	dB	56	58
Oil capacity	ltr	3,8	3,8
Weight	kg	64	64
Admissible ambient temp.	°C	10 to 40	10 to 40
Connection	Inlet	DIN 40 KF	40 KF
	Outlet	DIN 40 KF	40 KF

Ordering Information	TYPE EVD-48	
	50 Hz	60 Hz
Single phase motor 230V, 50/60 Hz (IEC)	424.901	424.901
Three phase motor 400V, 50Hz (IEC) 400V, 60Hz (IEC) 400V, 60Hz (NEMA)	424.902	424.903 424.904
Other Voltages/Frequencies	Upon request	
Filling with special oil	Upon request	
Exhaust oil vapor filter	424.910	
Gasket set	424.911	
Maintenance kit	424.912	
Pump module	424.913	
Inlet dust filter, paper cartridge	423.914	
EV-Highvacuum Oil-60		
1 ltr can	100.400	
2,5 ltr can	100.401	
5 ltr can	100.402	
20 ltr can	100.403	