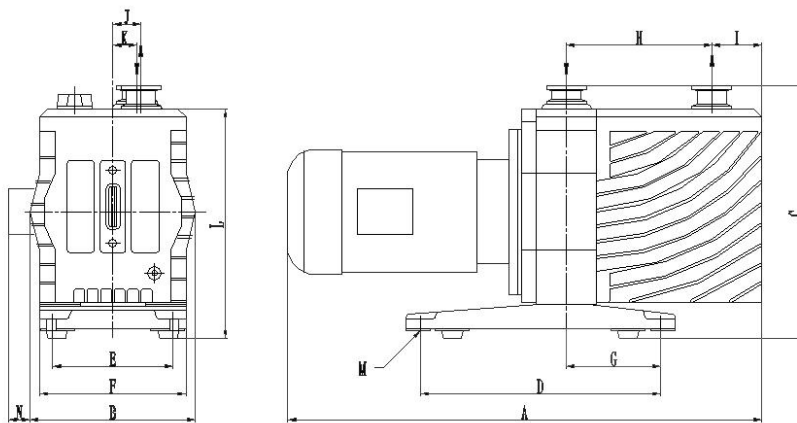
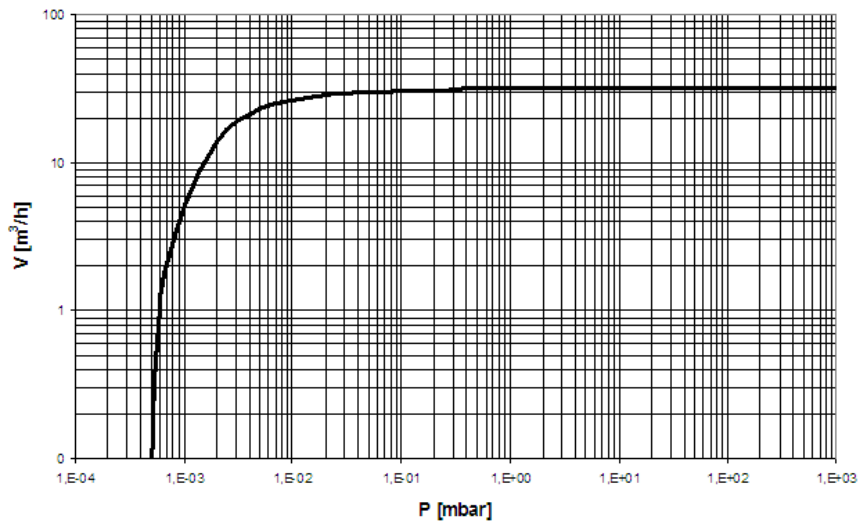


# TYPE EVD-36



**Pumping speed curve**



Dimensions	A	B	C	D	E	F	G	H	I	J	K	L	M	N
EVD-36	565	205	288/296	310	140	180	147	186	75	40	34	262	Ø12	48

## TYPE EVD-36

Technical Data		TYPE EVD-36	
		50 Hz	60 Hz
Nominal displacement	m <sup>3</sup> /h	32,5	39,0
Ultimate partial pressure	mbar	10 <sup>-4</sup>	10 <sup>-4</sup>
Ultimate total pressure	mbar	4x10 <sup>-3</sup>	4x10 <sup>-3</sup>
Motor power	kW	0,75	0,75
Nominal speed	rpm	1450	1750
Water vapor tolerance	mbar	30	30
Noise level	dB	52	54
Oil capacity	ltr	1,8	1,8
Weight	kg	39	39
Admissible ambient temp.	°C	10 to 40	10 to 40
Connection	Inlet	DIN 25 / 40 KF	25 / 40 KF
	Outlet	DIN 25 KF	25 KF

Ordering Information	TYPE EVD-36	
	50 Hz	60 Hz
<b>Single phase motor</b> 230V, 50/60 Hz (IEC)	423.901	423.901
<b>Three phase motor</b> 400V, 50Hz (IEC) 400V, 60Hz (IEC) 400V, 60Hz (NEMA)	423.902	423.903 423.904
Other Voltages/Frequencies	Upon request	
Filling with special oil	Upon request	
Exhaust oil vapor filter (side exhaust)	420.910	
Gasket set	423.911	
Maintenance kit	423.912	
Pump module	423.913	
Inlet dust filter, paper cartridge	423.914	
<b>EV-Highvacuum Oil-60</b>		
1 ltr can	100.400	
2,5 ltr can	100.401	
5 ltr can	100.402	
20 ltr can	100.403	