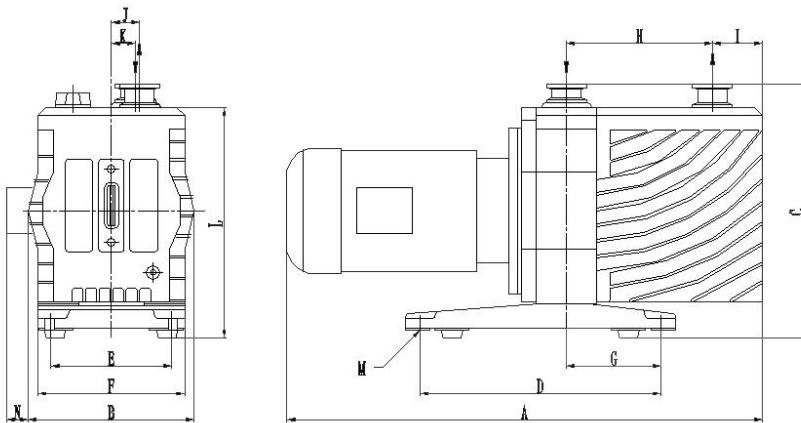
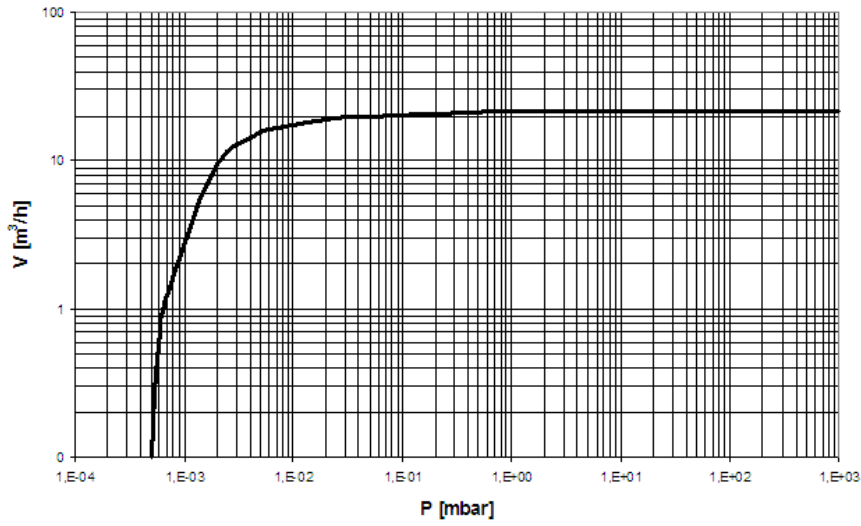


# TYPE EVD-24



**Pumping speed curve**



Dimensions	A	B	C	D	E	F	G	H	I	J	K	L	M	N
EVD-24	535	205	288	310	140	180	147	156	75	40	34	262	Ø12	48

## TYPE EVD-24

Technical Data		TYPE EVD-24	
		50 Hz	60 Hz
Nominal displacement	m <sup>3</sup> /h	21,6	26,0
Ultimate partial pressure	mbar	10 <sup>-4</sup>	10 <sup>-4</sup>
Ultimate total pressure	mbar	4x10 <sup>-3</sup>	4x10 <sup>-3</sup>
Motor power	kW	0,75	0,75
Nominal speed	rpm	1450	1750
Water vapor tolerance	mbar	30	30
Noise level	dB	52	54
Oil capacity	ltr	1,4	1,4
Weight	kg	37	37
Admissible ambient temp.	°C	10 to 40	10 to 40
Connection	Inlet	DIN 25 KF	25 KF
	Outlet	DIN 25 KF	25 KF

Ordering Information	TYPE EVD-24	
	50 Hz	60 Hz
<b>Single phase motor</b> 230V, 50/60 Hz (IEC)	422.901	422.901
<b>Three phase motor</b> 400V, 50Hz (IEC) 400V, 60Hz (IEC) 400V, 60Hz (NEMA)	422.902	422.903 422.904
Other Voltages/Frequencies	Upon request	
Filling with special oil	Upon request	
Exhaust oil vapor filter (side exhaust)	420.910	
Gasket set	422.911	
Maintenance kit	422.912	
Pump module	422.913	
Inlet dust filter, paper cartridge	420.914	
<b>EV-Highvacuum Oil-60</b>		
1 ltr can	100.400	
2,5 ltr can	100.401	
5 ltr can	100.402	
20 ltr can	100.403	