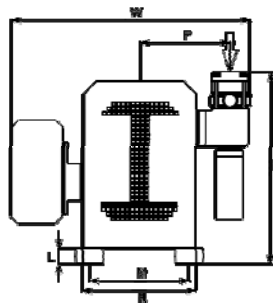
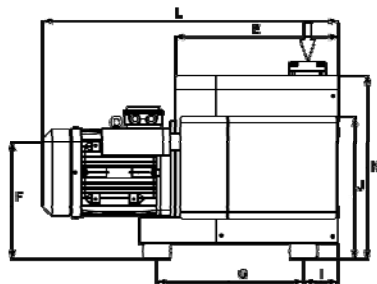
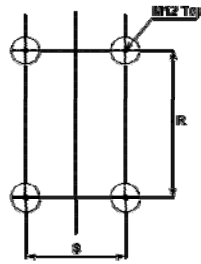
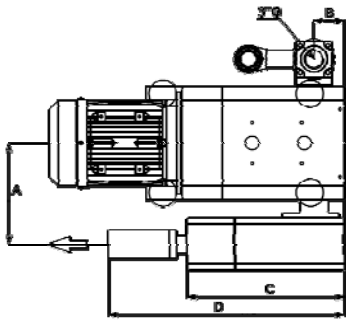
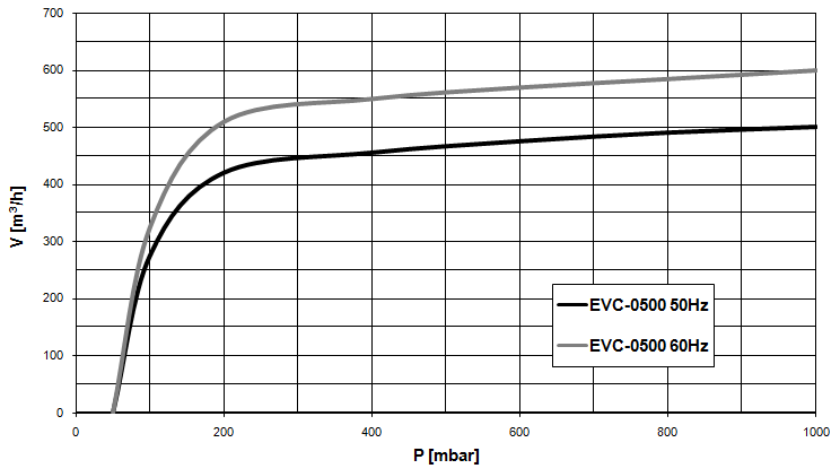


Available from August 2009

Pumping speed curve



Dimensions	L	W	H
EVC-0500	1200	764	525

TYPE EVC-0500

Technical Data		TYPE EVC-0500	
		50 Hz	60 Hz
Nominal displacement	m ³ /h	500	600
Ultimate pressure max.	mbar	50	50
Pressure continuous running	mbar	250 to 1000	250 to 1000
Motor power	kW	9,0	11,0
Nominal speed	rpm	2850	3450
Noise level	dB(A)	82	84
Oil filling gear housing	ltr	0,75	0,75
Weight	kg	381	381
Admissible ambient temp.	°C	5 to 40	5 to 40
Connection	Inlet	NPT 3"	3"
	Outlet	NPT 3"	3"

Ordering Information	TYPE EVC-0500	
	50 Hz	60 Hz
Three phase motor 400V, 50Hz (IEC) 400V, 60Hz (IEC) 400V, 60Hz (NEMA)	607.001	607.002 607.003
Other Voltages/Frequencies	Upon request	
Vacuum regulate valve	607.010	
Exhaust damper	607.011	
Gasket set	607.012	
Maintenance kit	607.013	
Pump module	607.014	
Inlet dust filter, paper cartridge	120.800	