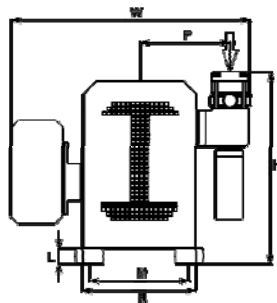
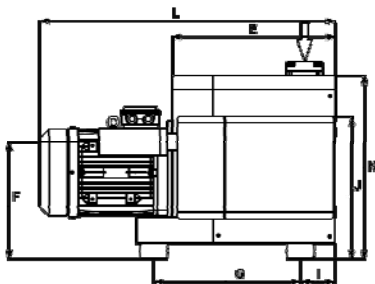
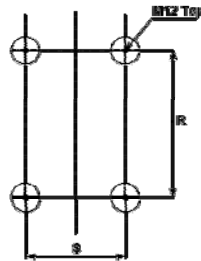
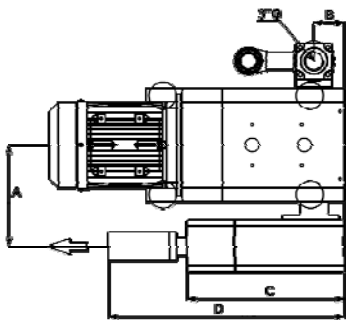
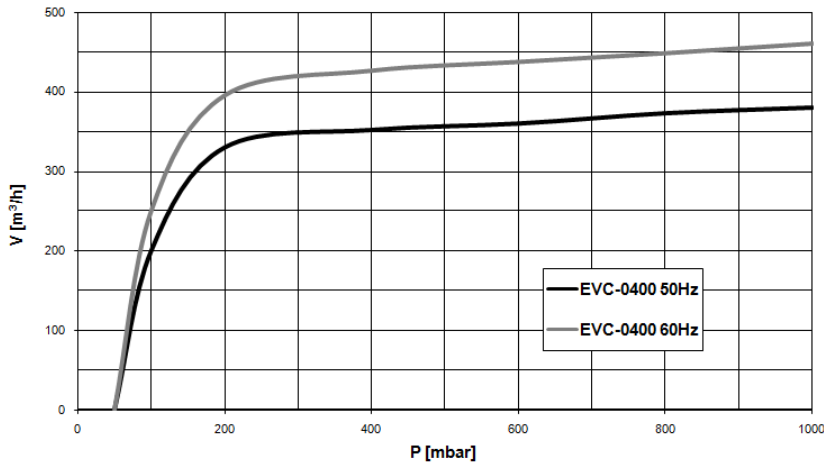


**Available by end of 2009**

**Pumping speed curve**



Dimensions	L	W	H
EVC-0400	1060	740	525

## TYPE EVC-0400

Technical Data		TYPE EVC-0400	
		50 Hz	60 Hz
Nominal displacement	m <sup>3</sup> /h	385	460
Ultimate pressure max.	mbar	50	50
Pressure continuous running	mbar	250 to 1000	250 to 1000
Motor power	kW	7,5	9,0
Nominal speed	rpm	2850	3450
Noise level	dB(A)	82	84
Oil filling gear housing	ltr	0,75	0,75
Weight	kg	330	330
Admissible ambient temp.	°C	5 to 40	5 to 40
Connection	Inlet	NPT 3"	3"
	Outlet	NPT 3"	3"

Ordering Information	TYPE EVC-0400	
	50 Hz	60 Hz
<b>Three phase motor</b> 400V, 50Hz (IEC) 400V, 60Hz (IEC) 400V, 60Hz (NEMA)	606.001	606.002 606.003
Other Voltages/Frequencies	Upon request	
Vacuum regulate valve	606.010	
Exhaust damper	606.011	
Gasket set	606.012	
Maintenance kit	606.013	
Pump module	606.014	
Inlet dust filter, paper cartridge	120.800	