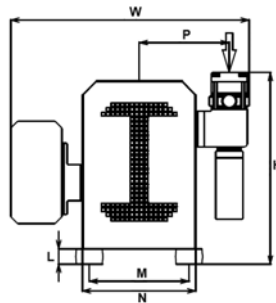
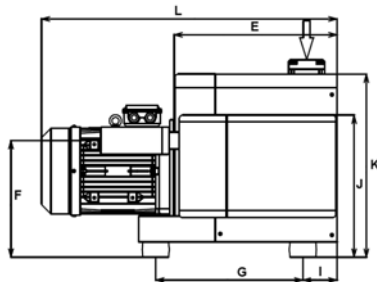
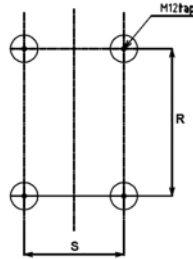
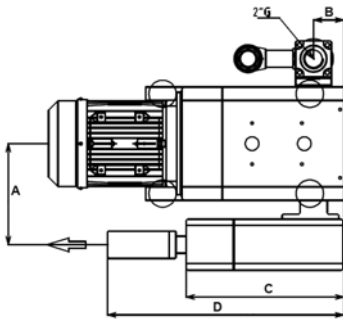
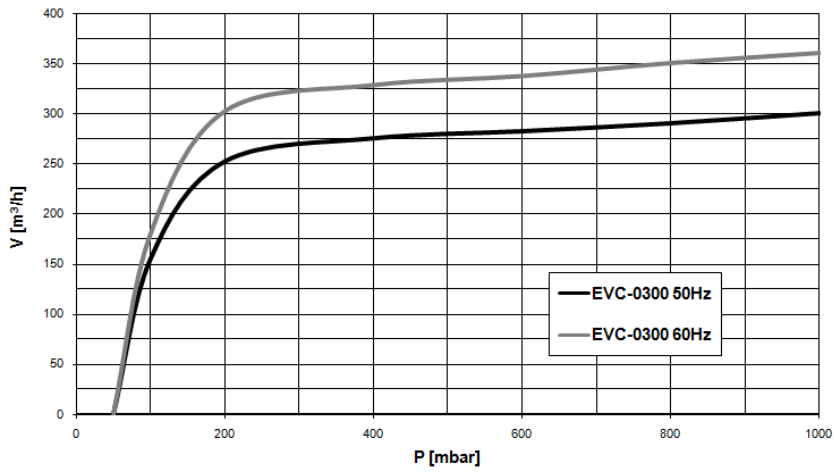


**Available from July 2009**

**Pumping speed curve**



Dimensions	L	W	H
EVC-0300	890	720	525

## TYPE EVC-0300

Technical Data		TYPE EVC-0300	
		50 Hz	60 Hz
Nominal displacement	m <sup>3</sup> /h	300	360
Ultimate pressure max.	mbar	50	50
Pressure continuous running	mbar	200 to 1000	200 to 1000
Motor power	kW	5,5	6,5
Nominal speed	rpm	2850	3450
Noise level	dB(A)	79	83
Oil filling gear housing	ltr	0,75	0,75
Weight	kg	263	263
Admissible ambient temp.	°C	5 to 40	5 to 40
Connection	Inlet	NPT 2"	2"
	Outlet	NPT 2"	2"

Ordering Information	TYPE EVC-0300	
	50 Hz	60 Hz
<b>Three phase motor</b> 400V, 50Hz (IEC) 400V, 60Hz (IEC) 400V, 60Hz (NEMA)	605.001	605.002 605.003
Other Voltages/Frequencies	Upon request	
Vacuum regulate valve	605.010	
Exhaust damper	605.011	
Gasket set	605.012	
Maintenance kit	605.013	
Pump module	605.014	
Inlet dust filter, paper cartridge	50.800	