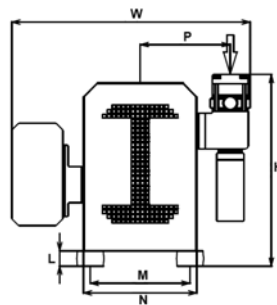
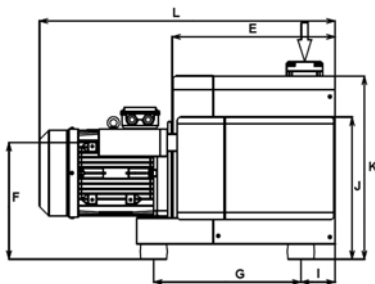
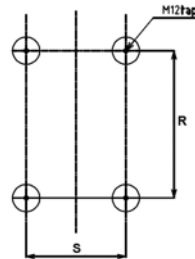
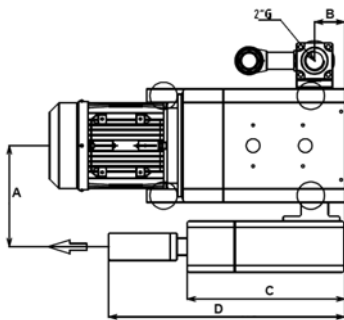
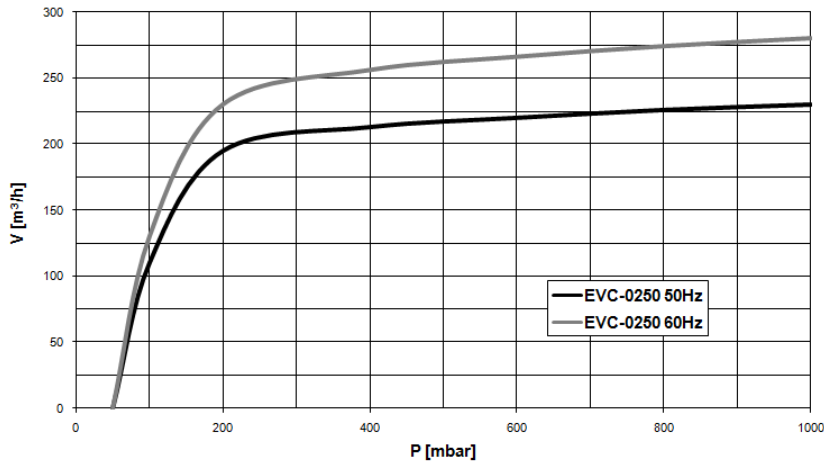


TYPE EVC-0250



Pumping speed curve



Dimensions	L	W	H	A	B	C	D	E	F	G	I	J	K	L	M	N	P	R	S
EVC-0250	865	698	562	296	89	462	692	477	341	431	25	416	536	45	292	332	264	431	292

TYPE EVC-0250

Technical Data		TYPE EVC-0250	
		50 Hz	60 Hz
Nominal displacement	m ³ /h	250	280
Ultimate pressure max.	mbar	50	50
Pressure continuous running	mbar	150 to 1000	150 to 1000
Motor power	kW	4,0	5,5
Nominal speed	rpm	2850	3450
Noise level	dB(A)	78	82
Oil filling gear housing	ltr	0,75	0,75
Weight	kg	203	220
Admissible ambient temp.	°C	5 to 40	5 to 40
Connection	Inlet	NPT 2"	2"
	Outlet	NPT 2"	2"

Ordering Information	TYPE EVC-0250	
	50 Hz	60 Hz
Three phase motor 400V, 50Hz (IEC) 400V, 60Hz (IEC) 400V, 60Hz (NEMA)	604.001	604.002 604.003
Other Voltages/Frequencies	Upon request	
Vacuum regulate valve	604.010	
Exhaust damper	604.011	
Gasket set	604.012	
Maintenance kit	604.013	
Pump module	604.014	
Inlet dust filter, paper cartridge	50.800	