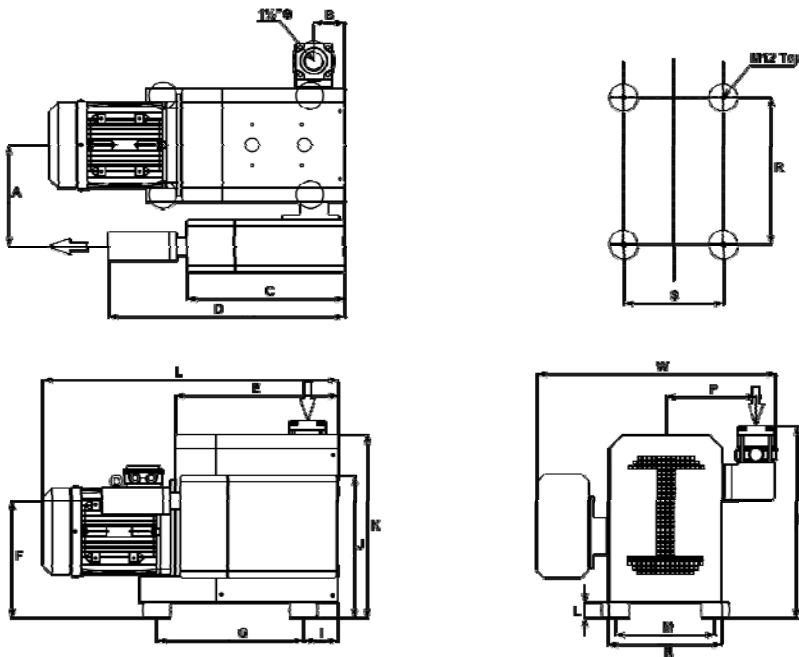
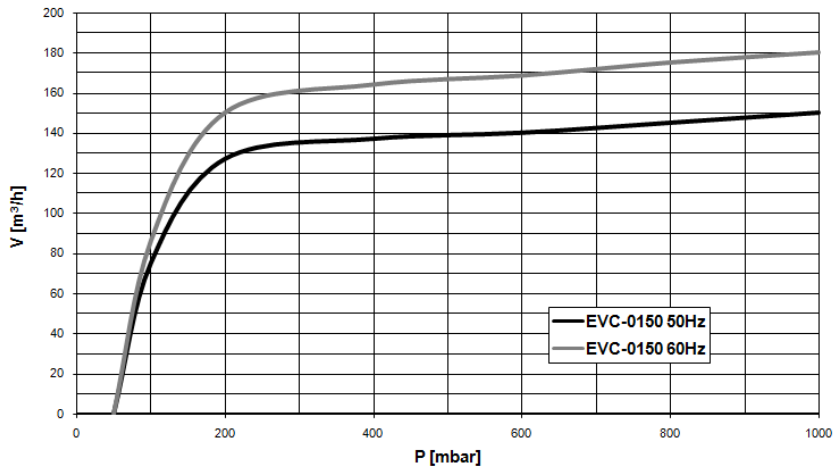


Available from September 2009

Pumping speed curve



Dimensions	L	W	H
EVC-0150	825	530	375

TYPE EVC-0150

Technical Data		TYPE EVC-0150	
		50 Hz	60 Hz
Nominal displacement	m ³ /h	150	180
Ultimate pressure max.	mbar	50	50
Pressure continuous running	mbar	100 to 1000	100 to 1000
Motor power	kW	3,0	3,6
Nominal speed	rpm	2850	3450
Noise level	dB(A)	79	82
Oil filling gear housing	ltr	0,6	0,6
Weight	kg	125	125
Admissible ambient temp.	°C	5 to 40	5 to 40
Connection	Inlet	NPT	1½"
	Outlet	NPT	1½"

Ordering Information	TYPE EVC-0150	
	50 Hz	60 Hz
Three phase motor 400V, 50Hz (IEC) 400V, 60Hz (IEC) 400V, 60Hz (NEMA)	603.001	603.002 603.003
Other Voltages/Frequencies	Upon request	
Vacuum regulate valve	603.010	
Exhaust damper	603.011	
Gasket set	603.012	
Maintenance kit	603.013	
Pump module	603.014	
Inlet dust filter, paper cartridge	602.025	