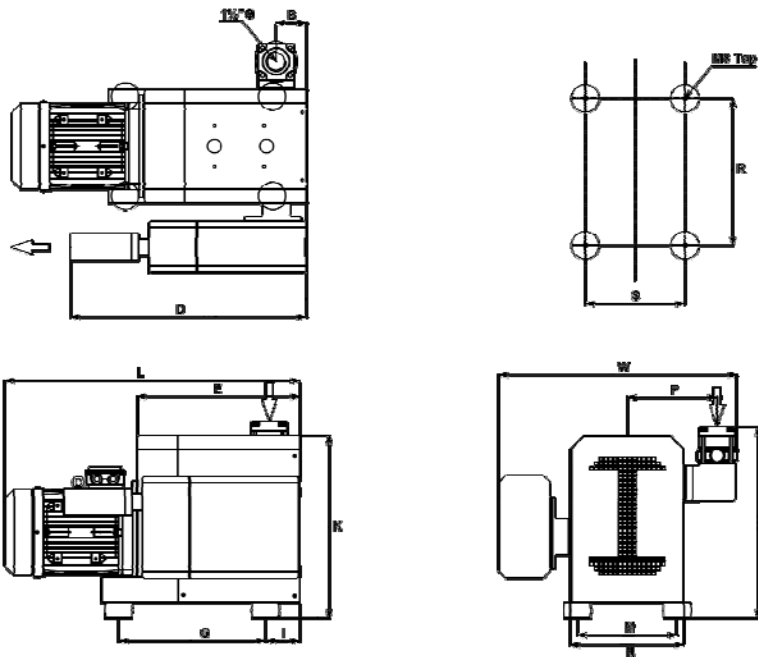
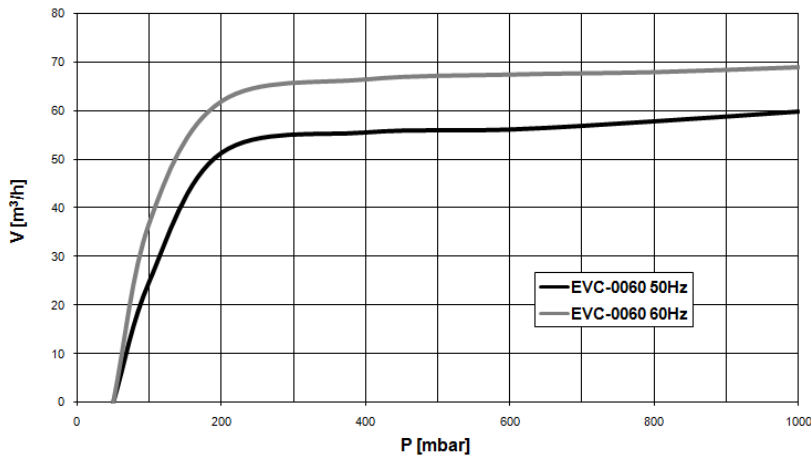


TYPE EVC-0060



Pumping speed curve



Dimensions	L	W	H	B	D	E	G	I	K	M	N	P	R	S	Tap
EVC-0060	698	545	405	91	553	394	440	79	368	224	254	212	440	224	M8

TYPE EVC-0060

Technical Data		TYPE EVC-0060	
		50 Hz	60 Hz
Nominal displacement	m ³ /h	60	72
Ultimate pressure max.	mbar	60	60
Pressure continuous running	mbar	100 to 1000	100 to 1000
Motor power	kW	1,1	1,5
Nominal speed	rpm	1450	1750
Noise level	dB(A)	66	70
Oil filling gear housing	ltr	0,5	0,5
Weight	kg	108	113
Admissible ambient temp.	°C	5 to 40	5 to 40
Connection	Inlet	NPT	1¼"
	Outlet	NPT	1¼"

Ordering Information	TYPE EVC-0060	
	50 Hz	60 Hz
Three phase motor 400V, 50Hz (IEC) 400V, 60Hz (IEC) 400V, 60Hz (NEMA)	601.001	601.002 601.003
Other Voltages/Frequencies	Upon request	
Vacuum regulate valve	601.010	
Exhaust damper	601.011	
Gasket set	601.012	
Maintenance kit	601.013	
Pump module	601.014	
Inlet dust filter, paper cartridge	601.025	