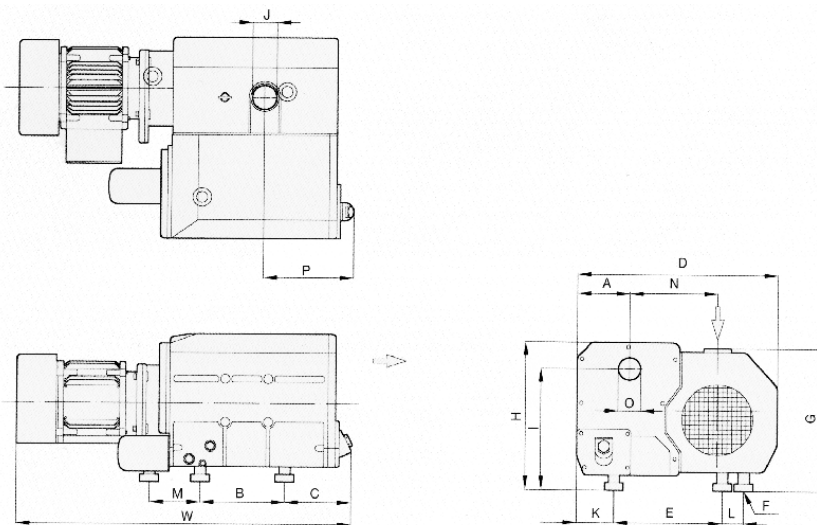
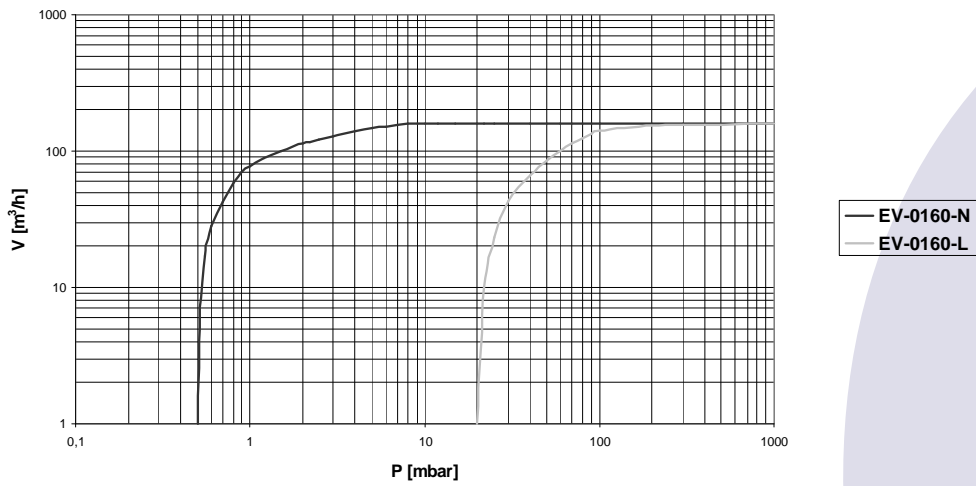


# TYPE EV-0160



**Pumping speed curve**



Dimensions	W	D	H	A	B	C	E	F	G	I	J	K	L	M	N	O	P
EV-00160	850	530	395	135	225	182	280	3xM8	385	350	G2"	110	40	75	235	G1½"	250

## TYPE EV-0160

Technical Data		TYPE EV-0160	
		50 Hz	60 Hz
Nominal displacement	m <sup>3</sup> /h	160	120
Ultimate pressure N type	mbar	0,5	0,5
L type	mbar	20	20
Motor power	kW	3,7	3,7
Nominal speed	rpm	1450	1740
Noise level	dB(A)	74	77
Operating temperature	°C	85	85
Oil capacity	ltr	5,0	5,0
Weight	kg	124	124
Admissible ambient temp.	°C	10 to 40	10 to 40
Connection	Inlet	G(BSP)	2"
	Outlet	G(BSP)	1½"

Ordering Information	TYPE EV-0160	
	50 Hz	60 Hz
N version (0,5 mbar) <b>Three phase motor</b> 400V, 50Hz (IEC) 400V, 60Hz (IEC) 400V, 60Hz (NEMA)	108.001	108.002 108.003
L version (20 mbar) <b>Three phase motor</b> 400V, 50Hz (IEC) 400V, 60Hz (IEC) 400V, 60Hz (NEMA)	108.201	108.202 108.203
Other Voltages/Frequencies	Upon request	
Filling with special oil	Upon request	
Exhaust filter cartridge	43120	
Gasket set	32490	
Maintenance kit	32500	
Pump module	32900	
Inlet dust filter, paper cartridge	50800	