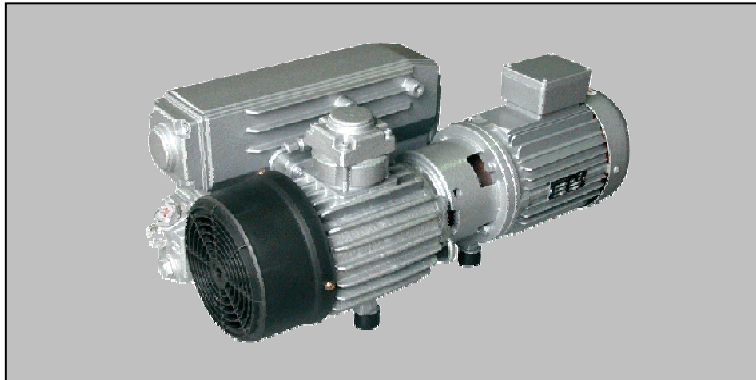
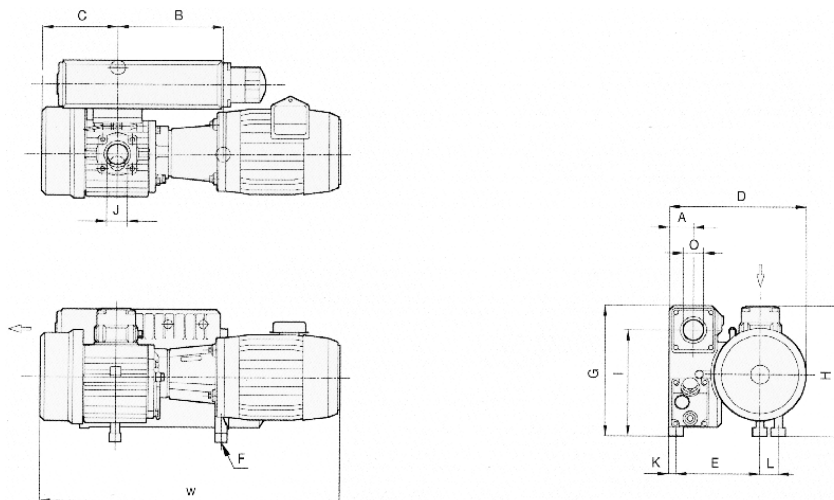
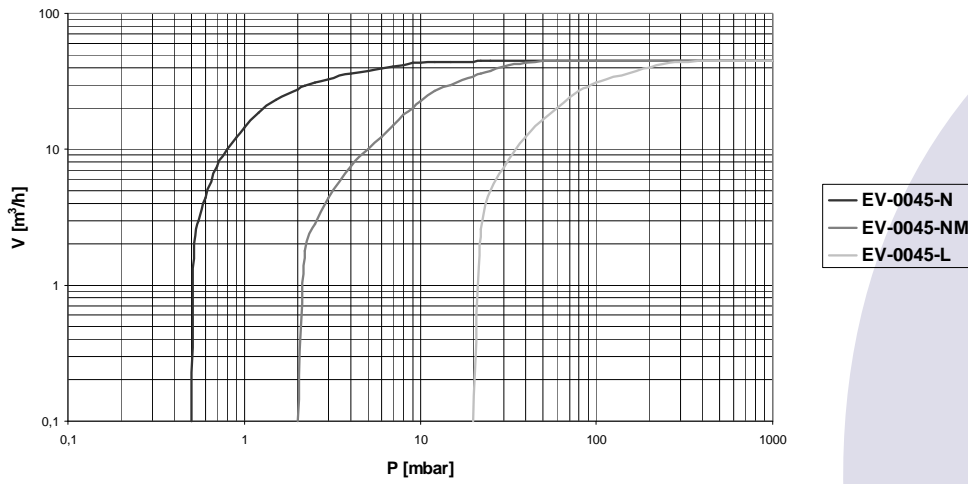


# TYPE EV-0045



**Pumping speed curve**



Dimensions	W	D	H	A	B	C	E	F	G	I	J	K	L	O
EV-0045	630	295	270	50	192	178	173	3xM8	265	215	G1¼"	15	45	G1¼"

## TYPE EV-0045

Technical Data			TYPE EV-0045	
			50 Hz	60 Hz
Nominal displacement	m <sup>3</sup> /h	45	54	
Ultimate pressure N type	mbar	0,5	0,5	
NM type	mbar	2	2	
L type	mbar	20	20	
Motor power	kW	1,5	1,5	
Nominal speed	rpm	1450	1740	
Noise level	dB(A)	64	67	
Operating temperature	°C	78	78	
Oil capacity	ltr	1,0	1,0	
Weight	kg	53	53	
Admissible ambient temp.	°C	10 to 40	10 to 40	
Connection	Inlet	G(BSP)	1¼"	
	Outlet	G(BSP)	1¼"	

Ordering Information		TYPE EV-0045	
		50 Hz	60 Hz
N version (0,5 mbar) <b>Single phase motor</b> 230V, 50/60 Hz (IEC) <b>Three phase motor</b> 400V, 50Hz (IEC) 400V, 60Hz (IEC) 400V, 60Hz (NEMA)		105.000	105.000
		105.001	105.002 105.003
NM version (2 mbar) <b>Single phase motor</b> 230V, 50/60 Hz (IEC) <b>Three phase motor</b> 400V, 50Hz (IEC) 400V, 60Hz (IEC) 400V, 60Hz (NEMA)		105.100	105.100
		105.101	105.102 105.103
L version (20 mbar) <b>Single phase motor</b> 230V, 50/60 Hz (IEC) <b>Three phase motor</b> 400V, 50Hz (IEC) 400V, 60Hz (IEC) 400V, 60Hz (NEMA)		105.200	105.200
		105.201	105.202 105.203
Other Voltages/Frequencies	Upon request		
Filling with special oil	Upon request		
Exhaust filter cartridge	20120A		
Gasket set	06490		
Maintenance kit	09500		
Pump module	09900		
Inlet dust filter, paper cartridge	20800		