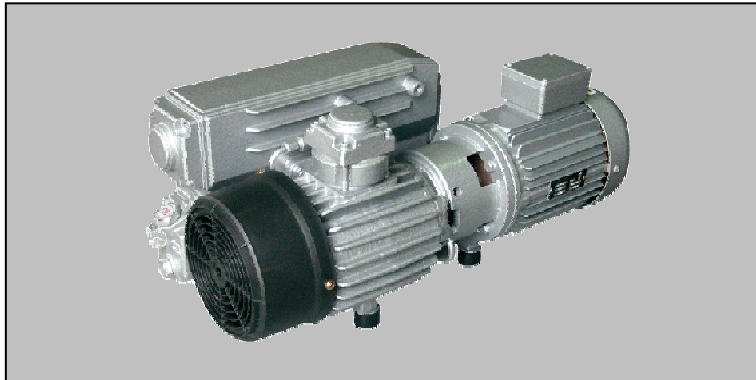
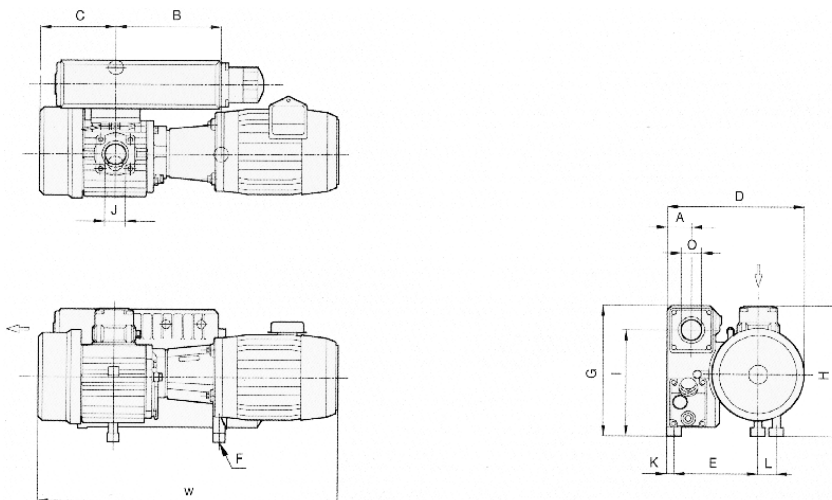
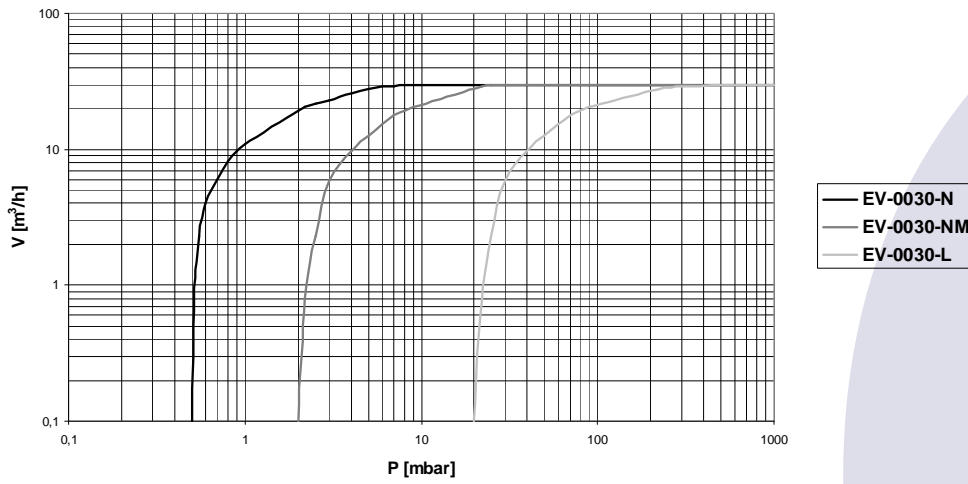


# TYPE EV-0030



**Pumping speed curve**



Dimensions	W	D	H	A	B	C	E	F	G	I	J	K	L	O
EV-0030	598	295	270	50	180	175	173	3xM8	265	215	G1½"	15	45	G1½"

## TYPE EV-0030

Technical Data		TYPE EV-0030	
		50 Hz	60 Hz
Nominal displacement	m <sup>3</sup> /h	30	36
Ultimate pressure N type	mbar	0,5	0,5
NM type	mbar	2	2
L type	mbar	20	20
Motor power	kW	1,5	1,5
Nominal speed	rpm	1450	1740
Noise level	dB(A)	64	67
Operating temperature	°C	76	76
Oil capacity	ltr	1,0	1,0
Weight	kg	47	47
Admissible ambient temp.	°C	10 to 40	10 to 40
Connection	Inlet	G(BSP)	1¼"
	Outlet	G(BSP)	1¼"

Ordering Information		TYPE EV-0030	
		50 Hz	60 Hz
N version (0,5 mbar) <b>Single phase motor</b> 230V, 50/60 Hz (IEC)		104.000	104.000
<b>Three phase motor</b> 400V, 50Hz (IEC)		104.001	104.002
400V, 60Hz (IEC)			104.003
400V, 60Hz (NEMA)			
NM version (2 mbar) <b>Single phase motor</b> 230V, 50/60 Hz (IEC)		104.100	104.100
<b>Three phase motor</b> 400V, 50Hz (IEC)		104.101	104.102
400V, 60Hz (IEC)			104.103
400V, 60Hz (NEMA)			
L version (20 mbar) <b>Single phase motor</b> 230V, 50/60 Hz (IEC)		104.200	104.200
<b>Three phase motor</b> 400V, 50Hz (IEC)		104.201	104.202
400V, 60Hz (IEC)			104.203
400V, 60Hz (NEMA)			
Other Voltages/Frequencies		Upon request	
Filling with special oil		Upon request	
Exhaust filter cartridge		06120A	
Gasket set		06490	
Maintenance kit		06500	
Pump module		06900	
Inlet dust filter, paper cartridge		20800	