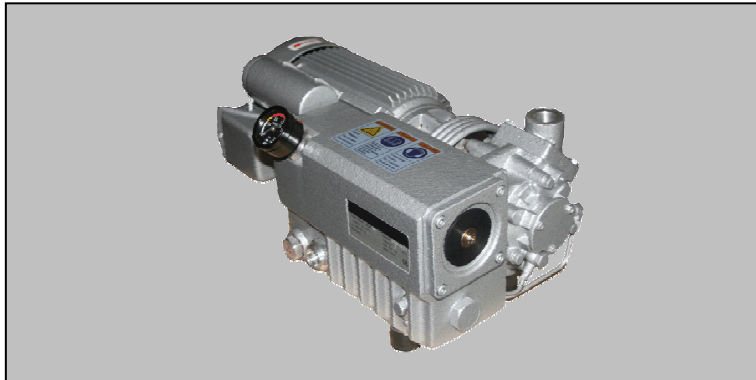
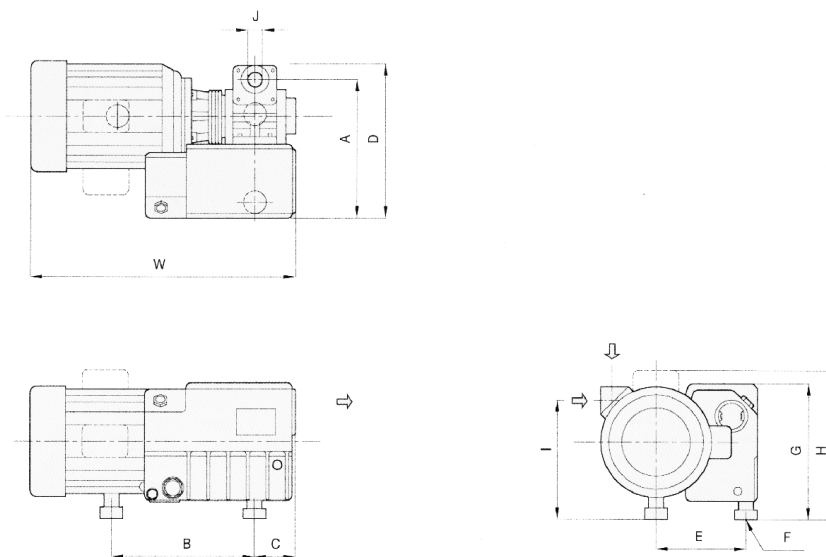
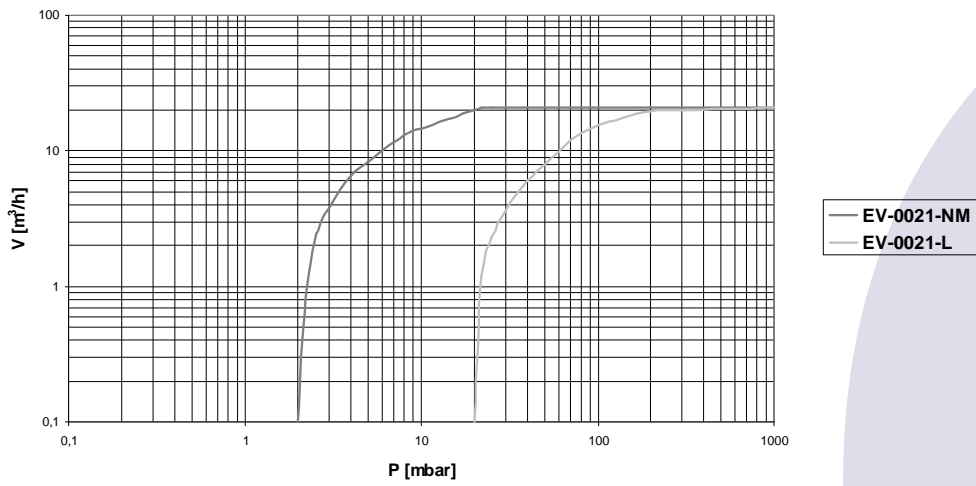


TYPE EV-0021



Pumping speed curve



Dimensions	W	D	H	A	B	C	E	F	G	I	J
EV-0021	430	230	225	215	213	55	130	3xM8	185	145	G½"

TYPE EV-0021

Technical Data		TYPE EV-0021	
		50 Hz	60 Hz
Nominal displacement	m ³ /h	20	24
Ultimate pressure NM type	mbar	2	2
L type	mbar	20	20
Motor power	kW	0,9	0,9
Nominal speed	rpm	2870	3480
Noise level	dB(A)	60	62
Operating temperature	°C	85	85
Oil capacity	ltr	0,5	0,5
Weight	kg	20	20
Admissible ambient temp.	°C	10 to 40	10 to 40
Connection	Inlet	G(BSP) ½"	½"
	Outlet	G(BSP) ½"	½"

Ordering Information	TYPE EV-0021	
	50 Hz	60 Hz
NM version (2 mbar) Single phase motor 230V, 50/60 Hz (IEC)	103.100	103.100
Three phase motor 400V, 50Hz (IEC)	103.101	103.102
400V, 60Hz (IEC)		103.103
400V, 60Hz (NEMA)		
L version (20 mbar) Single phase motor 230V, 50/60 Hz (IEC)	103.200	103.200
Three phase motor 400V, 50Hz (IEC)	103.201	103.202
400V, 60Hz (IEC)		103.203
400V, 60Hz (NEMA)		
Other Voltages/Frequencies	Upon request	
Filling with special oil	Upon request	
Exhaust filter cartridge	02120	
Gasket set	02490	
Maintenance kit	02500	
Pump module	02900	
Inlet dust filter, paper cartridge	02800	