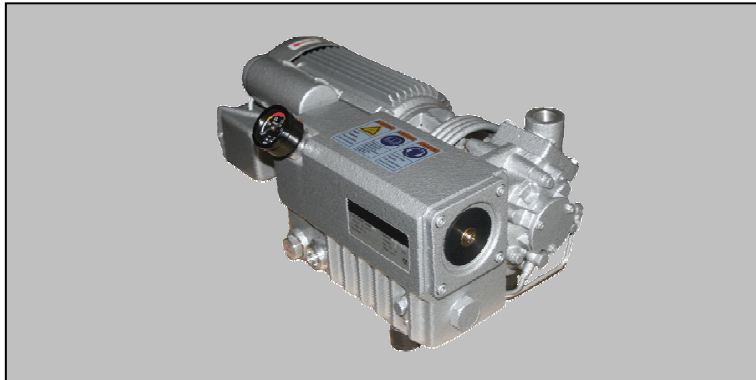
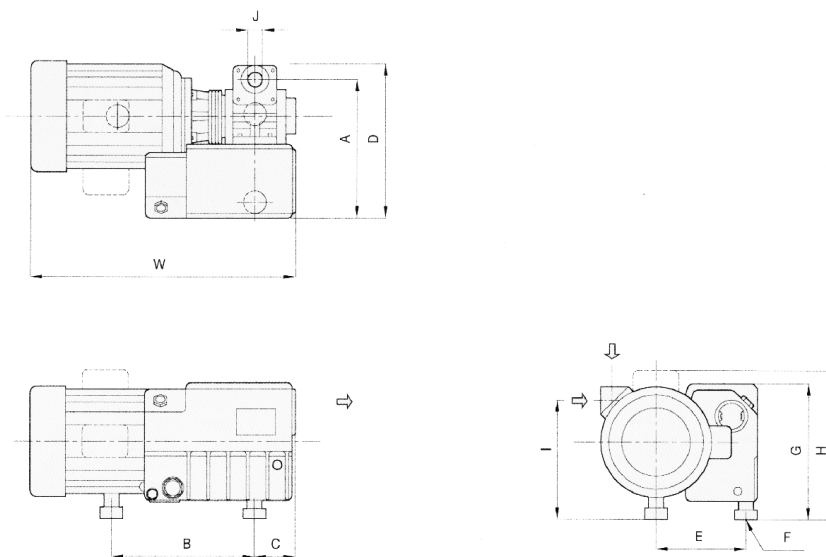
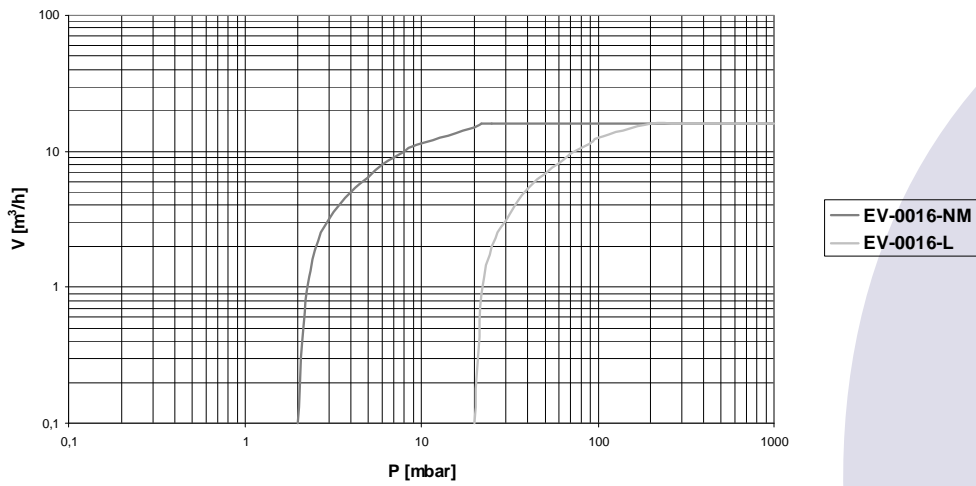


TYPE EV-0016



Pumping speed curve



Dimensions	W	D	H	A	B	C	E	F	G	I	J
EV-0016	460	230	225	215	213	55	130	3xM8	185	145	G½"

TYPE EV-0016

Technical Data		TYPE EV-0016	
		50 Hz	60 Hz
Nominal displacement	m ³ /h	16	19
Ultimate pressure NM type	mbar	2	2
L type	mbar	20	20
Motor power	kW	0,75	0,75
Nominal speed	rpm	1450	1740
Noise level	dB(A)	58	60
Operating temperature	°C	80	80
Oil capacity	ltr	0,5	0,5
Weight	kg	22	22
Admissible ambient temp.	°C	10 to 40	10 to 40
Connection	Inlet	G(BSP)	½"
	Outlet	G(BSP)	½"

Ordering Information	TYPE EV-0016		
	50 Hz	60 Hz	
NM version (2 mbar) Single phase motor 230V, 50/60 Hz (IEC)	102.100	102.100	
Three phase motor 400V, 50Hz (IEC) 400V, 60Hz (IEC) 400V, 60Hz (NEMA)	102.101	102.102 102.103	
	L version (20 mbar) Single phase motor 230V, 50/60 Hz (IEC)	102.200	102.200
		Three phase motor 400V, 50Hz (IEC) 400V, 60Hz (IEC) 400V, 60Hz (NEMA)	102.201
Other Voltages/Frequencies	Upon request		
Filling with special oil	Upon request		
Exhaust filter cartridge	02120		
Gasket set	02490		
Maintenance kit	02500		
Pump module	02900		
Inlet dust filter, paper cartridge	02800		