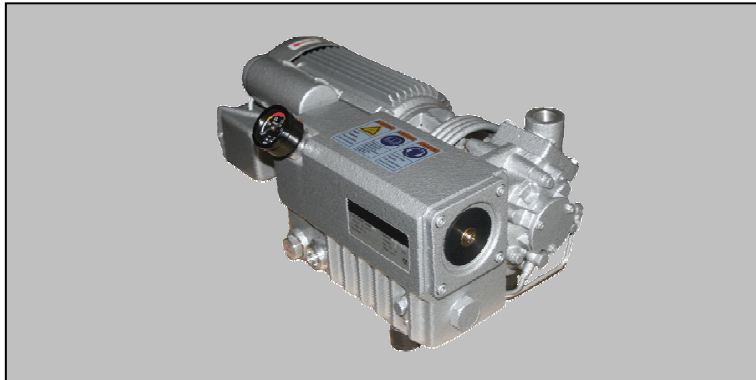
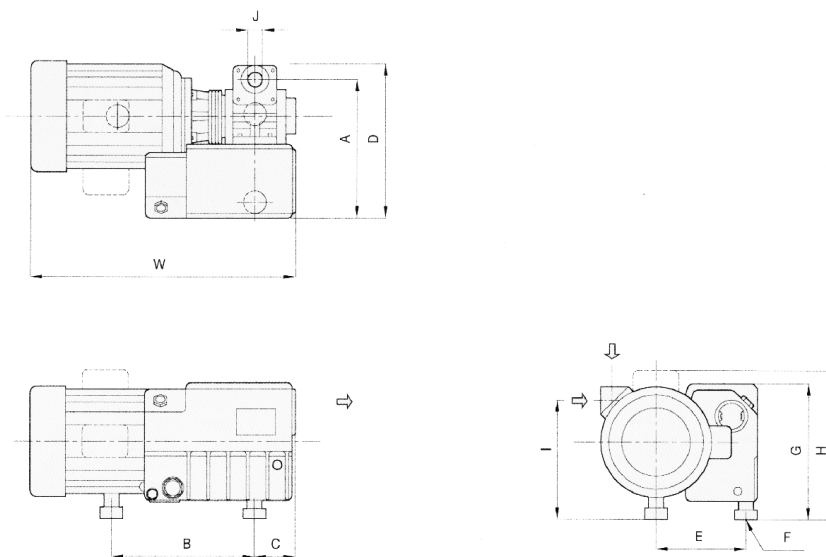
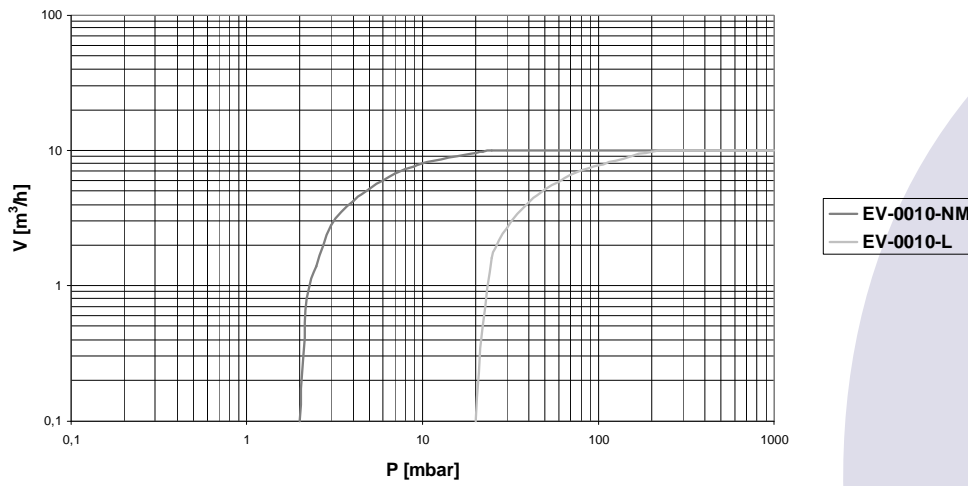


# TYPE EV-0010



**Pumping speed curve**



Dimensions	W	D	H	A	B	C	E	F	G	I	J
EV-0010	430	230	225	215	213	55	130	3xM8	185	145	G½"

## TYPE EV-0010

Technical Data		TYPE EV-0010	
		50 Hz	60 Hz
Nominal displacement	m <sup>3</sup> /h	10	12
Ultimate pressure NM type	mbar	2	2
L type	mbar	20	20
Motor power	kW	0,4	0,4
Nominal speed	rpm	1450	1740
Noise level	dB(A)	57	59
Operating temperature	°C	77	77
Oil capacity	ltr	0,5	0,5
Weight	kg	20	20
Admissible ambient temp.	°C	10 to 40	10 to 40
Connection	Inlet	G(BSP) ½"	½"
	Outlet	G(BSP) ½"	½"

Ordering Information	TYPE EV-0010	
	50 Hz	60 Hz
NM version (2 mbar) <b>Single phase motor</b> 230V, 50/60 Hz (IEC)	101.100	101.100
<b>Three phase motor</b> 400V, 50Hz (IEC)	101.101	
400V, 60Hz (IEC)		101.102
400V, 60Hz (NEMA)		101.103
L version (20 mbar) <b>Single phase motor</b> 230V, 50/60 Hz (IEC)	101.200	101.200
<b>Three phase motor</b> 400V, 50Hz (IEC)	101.201	
400V, 60Hz (IEC)		101.202
400V, 60Hz (NEMA)		101.203
Other Voltages/Frequencies	Upon request	
Filling with special oil	Upon request	
Exhaust filter cartridge	02120	
Gasket set	02490	
Maintenance kit	02500	
Pump module	02900	
Inlet dust filter, paper cartridge	02800	