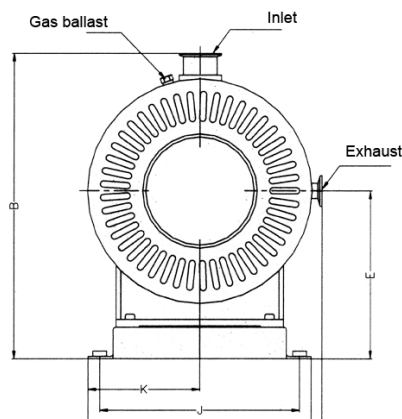
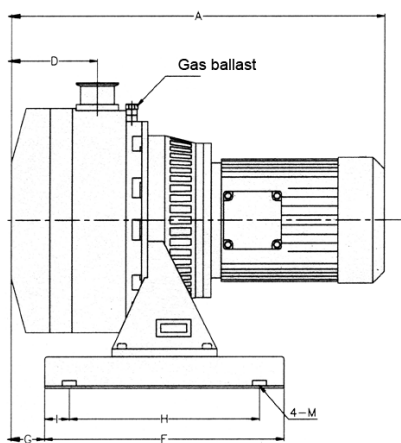
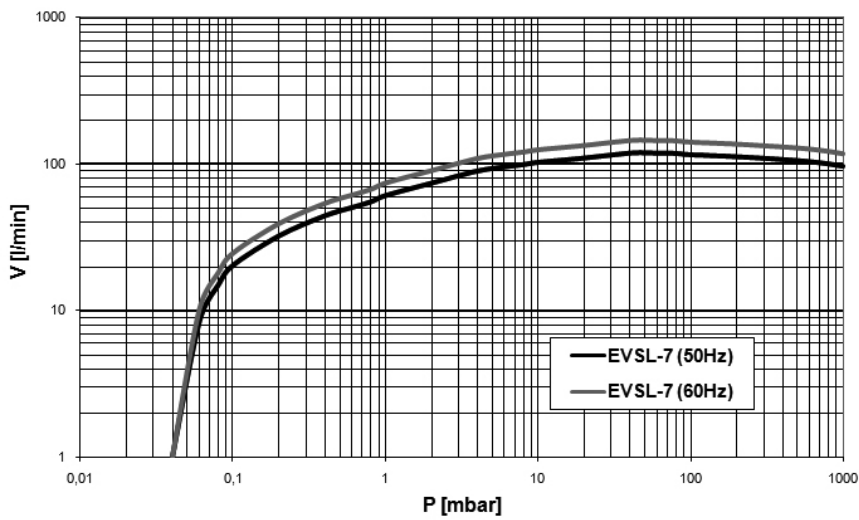


TYPE EVSL-7

Available from Apr. 2009

Pumping speed curve



Dimensions	A	B	C	D	E	F	G	H	I	J	K	L	M
EVSL-7	365	225	182	95	132	140	100	112	14	154	76	182	7

TYPE EVSL-7

Technical Data		TYPE EVSL-7	
		50 Hz	60 Hz
Pumping speed	m ³ /h	7,2	8,6
Ultimate pressure max.	mbar	$3,5 \cdot 10^{-2}$	$3,5 \cdot 10^{-2}$
Leak rate	mbar·l/s	$< 10^{-4}$	$< 10^{-4}$
Max. inlet pressure	mbar	atmosphere	atmosphere
Motor power	kW	0,25	0,25
Nominal speed	rpm	2850	3450
Noise level	dB(A)	≤ 60	≤ 60
Weight	kg	19	19
Admissible ambient temp.	°C	5 to 40	5 to 40
Connection	Inlet	DIN 25 KF	25 KF
	Outlet	DIN 16 KF	16 KF

Ordering Information	TYPE EVSL-7	
	50 Hz	60 Hz
Single phase motor 230V, 50Hz (IEC) 230V, 60Hz (IEC) 230V, 60Hz (NEMA)	631.001	631.002 631.003
Three phase motor 400V, 50Hz (IEC) 400V, 60Hz (IEC) 400V, 60Hz (NEMA)	631.011	631.012 631.013
Other Voltages/Frequencies	Upon request	
Exhaust damper	631.100	
Minor kit (8000 hours)	631.801	
Major kit (16000 hours)	631.802	