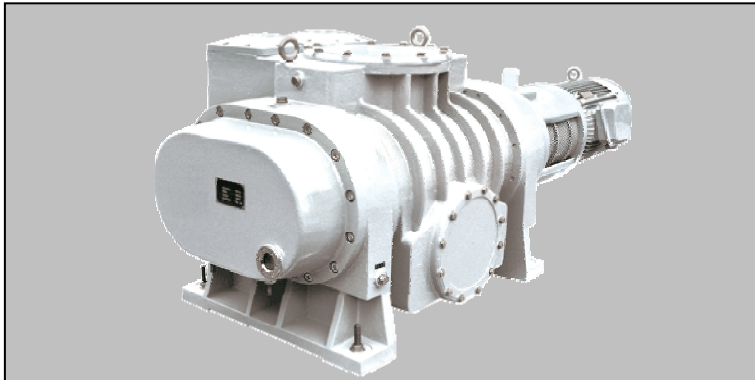
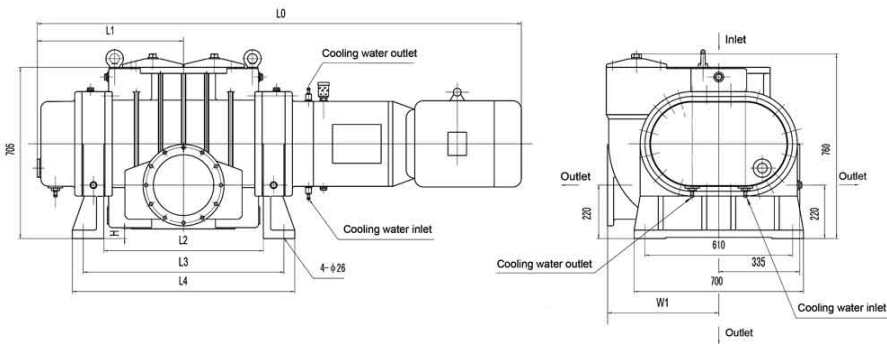
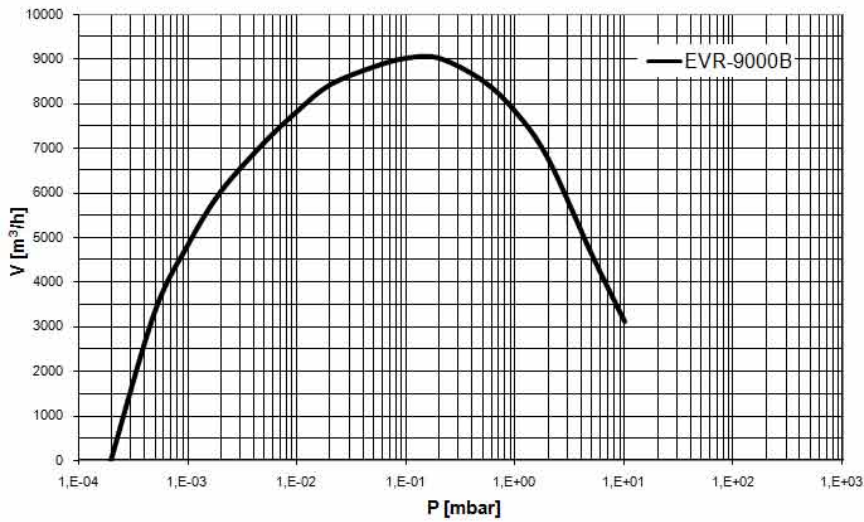


TYPE EVR-9000



Pumping speed curve



Dimensions	L0	L1	L2	L3	L4	H	W1	4-φC
EVR-9000	2000	605	660	830	920	40	460	4-φ26

TYPE EVR-9000

Technical Data		TYPE EVR-9000	
		50 Hz	60 Hz
Nominal pumping speed	m ³ /h	9000	10800
Ultimate total pressure ¹	mbar	3 · 10 ⁻⁴	3 · 10 ⁻⁴
ΔP of relieve valve	mbar	44	44
Motor power	kW	18,5	18,5
Nominal speed	rpm	2930	3500
Type of protection	IP	55	55
Oil filling for gearbox	ltr	10,5	10,5
Weight	kg	1500	1500
Noise level	dB	80	80
Connection	Inlet	DIN	320
	Outlet	DIN	320/250

Ordering Information	TYPE EVR-9000	
	50 Hz	60 Hz
EVR-9000 400V, 50Hz (IEC) 400V, 60Hz (NEMA)	667.001	667.001 667.003
EVR-9000B with bypass 400V, 50Hz (IEC) 400V, 60Hz (NEMA)	667.011	667.011 667.013
Other Voltages/Frequencies	Upon request	
Filling of gearbox with special oil	Upon request	
Sealing set	667.901	
Maintenance kit	667.902	
Standard Oil filling 10 ltr	2x100.402	
Adapter set to ISO-K flanges		
Inlet DN 320 ISO-K	667.701	
Outlet DN 320 ISO-K	667.702	