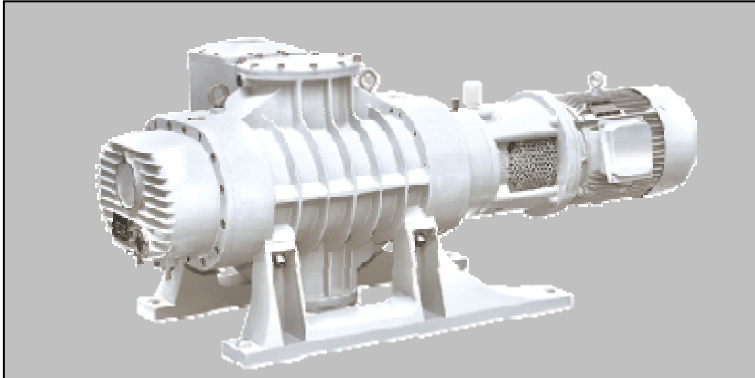
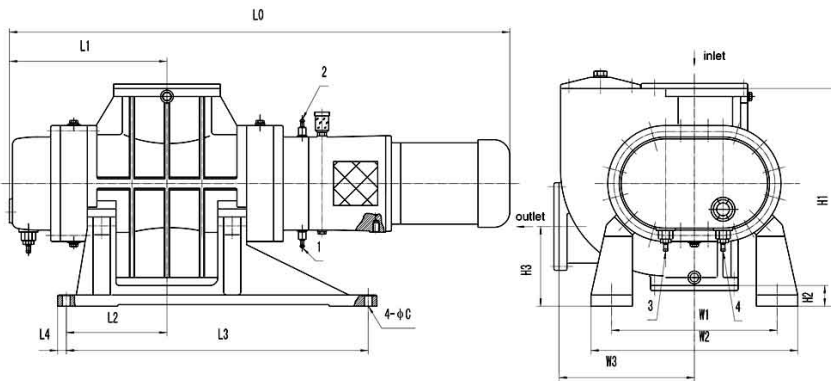
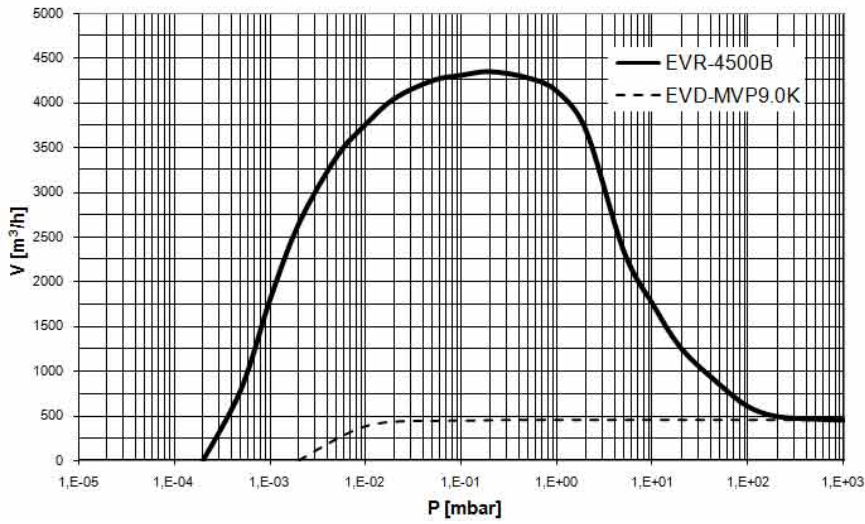


# TYPE EVR-4500



**Pumping speed curve**



Dimensions	L0	L1	L2	L3	L4	H1	H2	H3	W1	W2	W3	4-φC
EVR-4500	1700	500	316	948	26	675	65	250	520	650	430	4-φ24

## TYPE EVR-4500

Technical Data		TYPE EVR-4500	
		50 Hz	60 Hz
Nominal pumping speed	m <sup>3</sup> /h	4320	5200
Ultimate total pressure <sup>1</sup>	mbar	3 · 10 <sup>-4</sup>	3 · 10 <sup>-4</sup>
ΔP of relieve valve	mbar	44	44
Motor power	kW	11	11
Nominal speed	rpm	2900	3480
Type of protection	IP	55	55
Oil filling for gearbox	ltr	7,5	7,5
Weight	kg	950	950
Noise level	dB	78	78
Connection	Inlet	DN 250	250
	Outlet	DN 200	200

Ordering Information	TYPE EVR-4500	
	50 Hz	60 Hz
<b>EVR-4500</b> 400V, 50/60Hz (IEC) 400V, 60Hz (NEMA)	665.001	665.001 665.003
<b>EVR-4500B with bypass</b> 400V, 50/60Hz (IEC) 400V, 60Hz (NEMA)	665.011	665.011 665.013
<b>EVR-4500M with magnetic drive</b> 400V, 50/60Hz (IEC) 400V, 60Hz (NEMA)	665.021	665.021 665.023
<b>EVR-4500BM with bypass &amp; magnetic drive</b> 400V, 50/60Hz (IEC) 400V, 60Hz (NEMA)	665.031	665.031 665.033
Other Voltages/Frequencies	Upon request	
Filling of gearbox with special oil	Upon request	
Sealing set	665.901	
Maintenance kit	665.902	
Standard Oil filling	100.401&100.402	
Adapter set to ISO-K flanges		
Inlet DN 250 ISO-K	665.701	
Outlet DN 160 ISO-K	665.702	