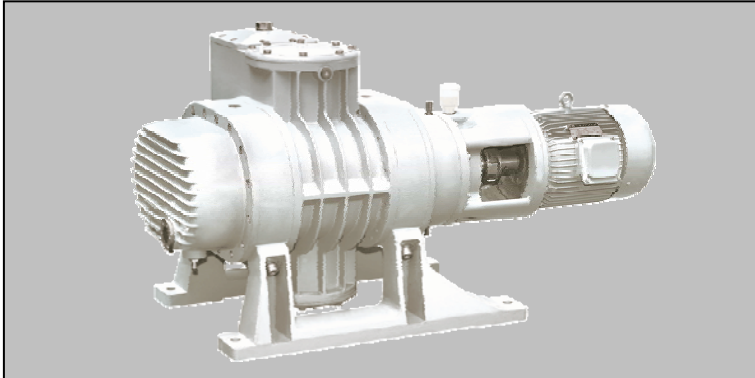
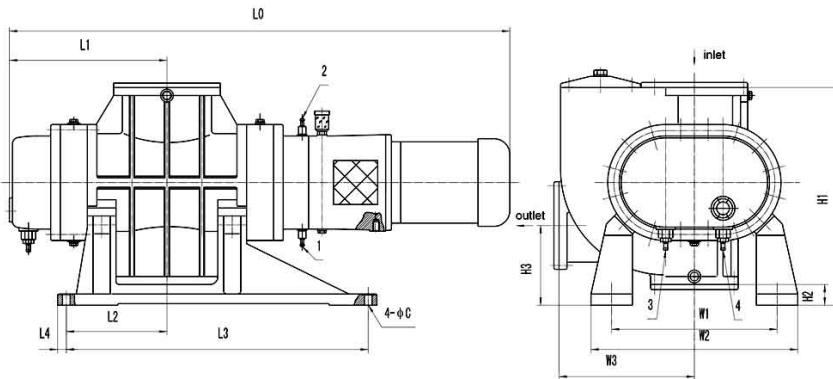
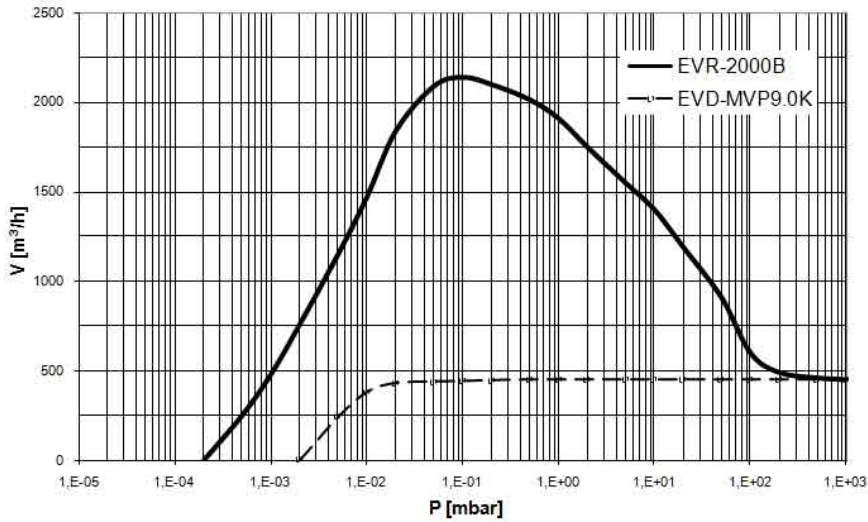


TYPE EVR-2000



Pumping speed curve



Dimensions	L0	L1	L2	L3	L4	H1	H2	H3	W1	W2	W3	4-φC
EVR-2000	1350	375	277,5	760	27,5	673	70	235	480	596	375	4-φ24

TYPE EVR-2000

Technical Data		TYPE EVR-2000	
		50 Hz	60 Hz
Nominal pumping speed	m ³ /h	2160	2590
Ultimate total pressure ¹	mbar	3 · 10 ⁻⁴	3 · 10 ⁻⁴
ΔP of relieve valve	mbar	32	32
Motor power	kW	7,5	7,5
Nominal speed	rpm	2900	3480
Type of protection	IP	55	55
Oil filling for gearbox	ltr	7,5	7,5
Weight	kg	790	790
Noise level	dB	76	76
Connection	Inlet	DIN	200
	Outlet	DIN	200

Ordering Information	TYPE EVR-2000	
	50 Hz	60 Hz
EVR-2000 400V, 50/60Hz (IEC) 400V, 60Hz (NEMA)	664.001	664.001 664.003
EVR-2000B with bypass 400V, 50/60Hz (IEC) 400V, 60Hz (NEMA)	664.011	664.011 664.013
EVR-2000M with magnetic drive 400V, 50/60Hz (IEC) 400V, 60Hz (NEMA)	664.021	664.021 664.023
EVR-2000BM with bypass & magnetic drive 400V, 50/60Hz (IEC) 400V, 60Hz (NEMA)	664.031	664.031 664.033
Other Voltages/Frequencies	Upon request	
Filling of gearbox with special oil	Upon request	
Sealing set	664.901	
Maintenance kit	664.902	
Standard Oil filling 7,5 ltr	100.401&100.402	
Adapter set to ISO-K flanges		
Inlet DN 200 ISO-K	661.701	
Outlet DN 200 ISO-K	661.702	