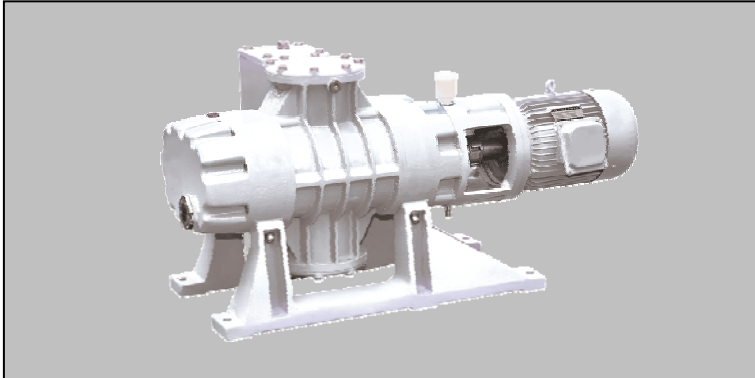
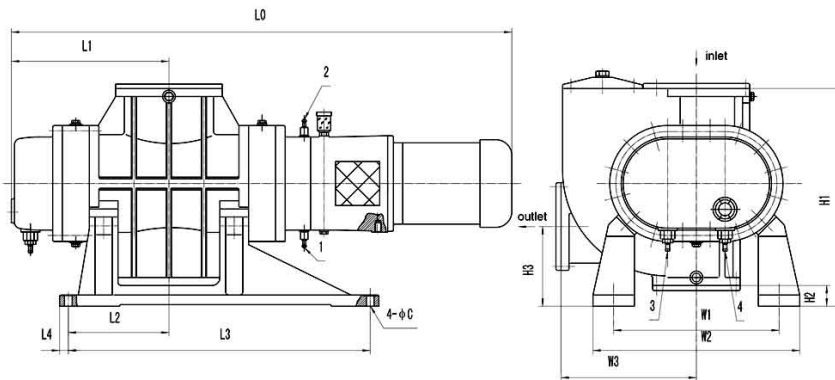
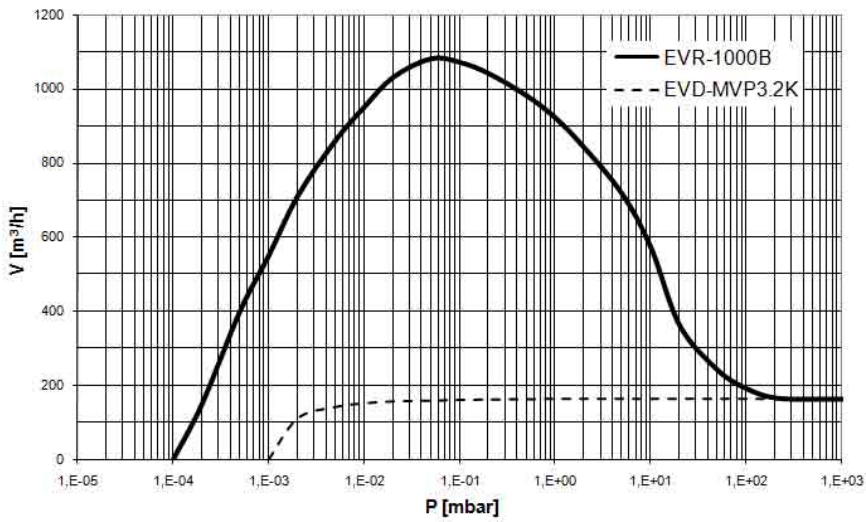


TYPE EVR-1000



Pumping speed curve



Dimensions	L0	L1	L2	L3	L4	H1	H2	H3	W1	W2	W3	4-φC
EVR-1000	1100	325	275	740	20	525	90	215	320	408	285	4-φ18

TYPE EVR-1000

Technical Data		TYPE EVR-1000	
		50 Hz	60 Hz
Nominal pumping speed	m ³ /h	1080	1300
Ultimate total pressure ¹	mbar	3 · 10 ⁻⁴	3 · 10 ⁻⁴
ΔP of relieve valve	mbar	58	58
Motor power	kW	4	4
Nominal speed	rpm	2890	3470
Type of protection	IP	55	55
Oil filling for gearbox	ltr	2,8	2,8
Weight	kg	310	310
Noise level	dB	74	74
Connection	Inlet	DIN	160
	Outlet	DIN	160

Ordering Information	TYPE EVR-1000	
	50 Hz	60 Hz
EVR-1000 400V, 50/60Hz (IEC) 400V, 60Hz (NEMA)	663.001	663.001 663.003
EVR-1000B with bypass 400V, 50/60Hz (IEC) 400V, 60Hz (NEMA)	663.011	663.011 663.013
EVR-1000M with magnetic drive 400V, 50/60Hz (IEC) 400V, 60Hz (NEMA)	663.021	663.021 663.023
EVR-1000BM with bypass & magnetic drive 400V, 50/60Hz (IEC) 400V, 60Hz (NEMA)	663.031	663.031 663.033
Other Voltages/Frequencies	Upon request	
Filling of gearbox with special oil	Upon request	
Sealing set	663.901	
Maintenance kit	663.902	
Standard Oil filling 5 ltr	100.402	
Adapter set to ISO-K flanges		
Inlet DN 160 ISO-K	663.701	
Outlet DN 160 ISO-K	663.702	