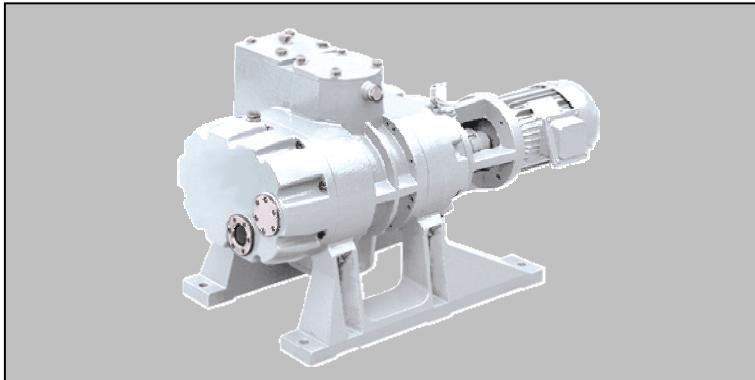
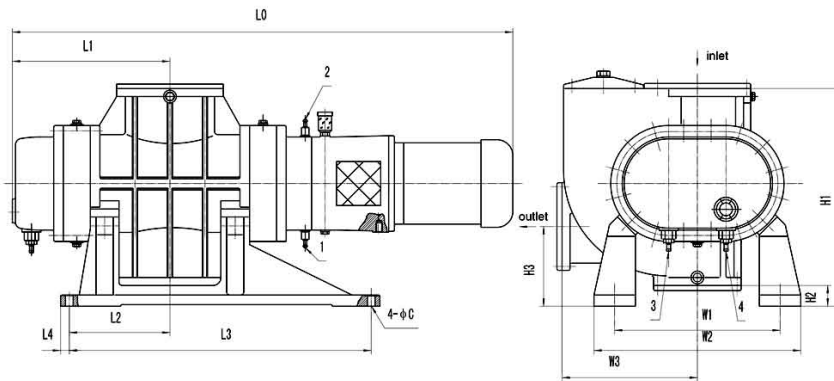
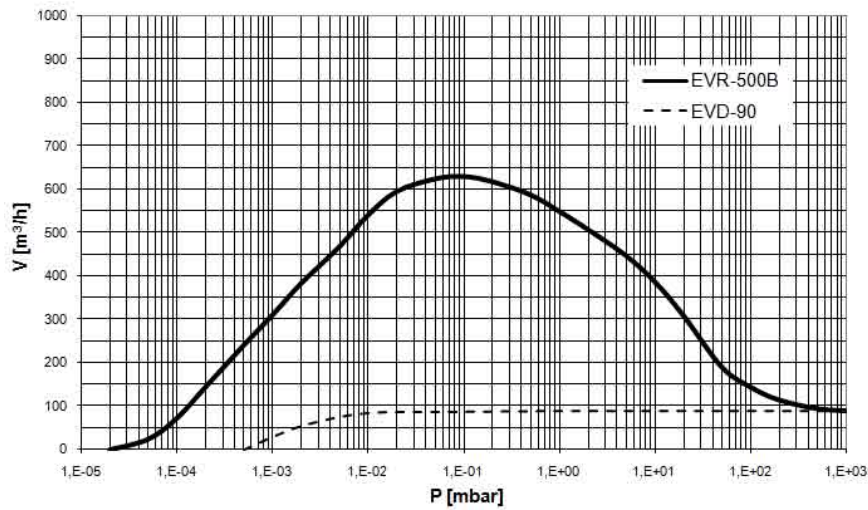


# TYPE EVR-500



**Pumping speed curve**



Dimensions	L0	L1	L2	L3	L4	H1	H2	H3	W1	W2	W3	4- $\phi$ C
EVR-500	910	260	195	580	20	475	90	195	320	408	245	4- $\phi$ 18

## TYPE EVR-500

Technical Data		TYPE EVR-500	
		50 Hz	60 Hz
Nominal pumping speed	m <sup>3</sup> /h	540	650
Ultimate total pressure <sup>1</sup>	mbar	3 · 10 <sup>-4</sup>	3 · 10 <sup>-4</sup>
ΔP of relieve valve	mbar	48	48
Motor power	kW	2,2	2,2
Nominal speed	rpm	2840	3400
Type of protection	IP	55	55
Oil filling for gearbox	ltr	2,8	2,8
Weight	kg	220	220
Noise level	dB	72	72
Connection	Inlet	DIN	100
	Outlet	DIN	100

Ordering Information	TYPE EVR-500	
	50 Hz	60 Hz
<b>EVR-500</b> 400V, 50/60Hz (IEC) 400V, 60Hz (NEMA)	662.001	662.001 662.003
<b>EVR-500B with bypass</b> 400V, 50/60Hz (IEC) 400V, 60Hz (NEMA)	662.011	662.011 662.013
<b>EVR-500M with magnetic drive</b> 400V, 50/60Hz (IEC) 400V, 60Hz (NEMA)	662.021	662.021 662.023
<b>EVR-500BM with bypass &amp; magnetic drive</b> 400V, 50/60Hz (IEC) 400V, 60Hz (NEMA)	662.031	662.031 662.033
Other Voltages/Frequencies	Upon request	
Filling of gearbox with special oil	Upon request	
Sealing set	662.901	
Maintenance kit	662.902	
Standard Oil filling 5 ltr	100.402	
Adapter set to ISO-K flanges		
Inlet DN 100 ISO-K	662.701	
Outlet DN 100 ISO-K	662.702	