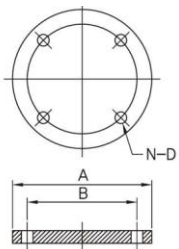
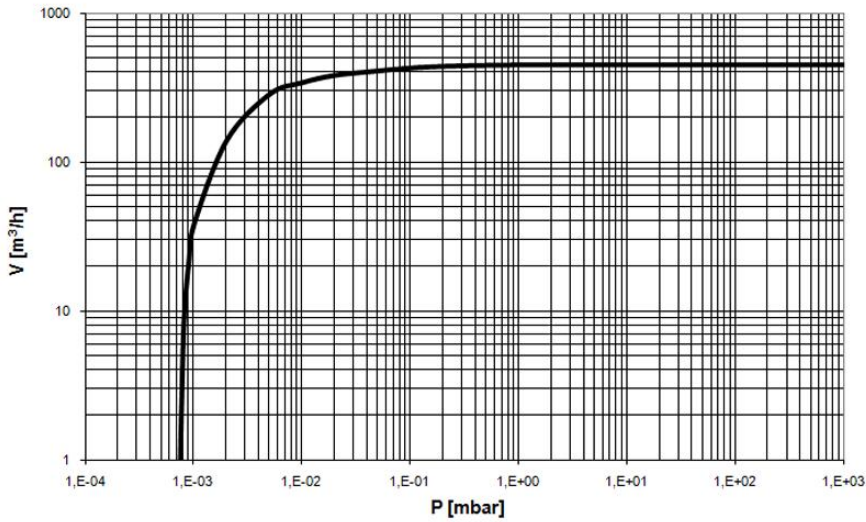


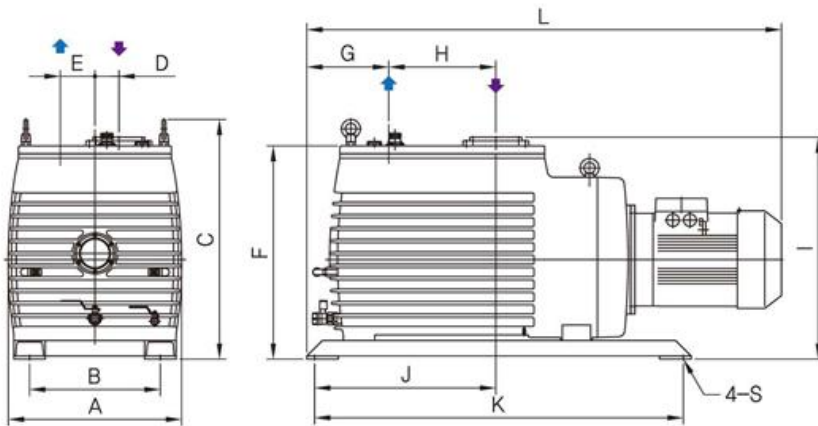
TYPE EVD-450



Pumping speed curve



Standard	A	B	N	D
ISO 100	Ø165	Ø145	8	M8
ISO 100	Ø165	Ø145	8	M8



Dimensions	A	B	C	D	E	F	G	H	I	J	K	S	L
EVD-450	550	415	771	76	110	686	260	340	714	575	1170	Ø18	1507

TYPE EVD-450

Technical Data			TYPE EVD-450	
			50 Hz	60 Hz
Nominal displacement	m ³ /h	450	540	
Ultimate pressure GB closed	mbar	7x10 ⁻⁴	7x10 ⁻⁴	
Ultimate pressure GB open	mbar	7x10 ⁻³	7x10 ⁻³	
Motor power	kW	15	15	
Nominal speed	rpm	1450	1750	
Oil capacity	ltr	35	35	
Admissible ambient temp.	°C	10 to 40	10 to 40	
Noise level	dB(A)	78	80	
Weight	kg	668	668	
Connection	Inlet	DIN	ISO 100	
	Outlet	DIN	ISO 100	

Ordering Information	TYPE EVD-450	
	50 Hz	60 Hz
Three phase motor 400V, 50Hz (IEC) 400V, 60Hz (IEC) 400V, 60Hz (NEMA)	436.902	436.903 436.904
Other Voltages/Frequencies	Upon request	
Filling with special oil	Upon request	
Exhaust oil vapor filter EF-100	436.910	
Gasket set	436.911	
Maintenance kit	436.912	
Pump module	436.913	
Inlet dust filter, paper cartridge	436.914	
EV-Highvacuum Oil-60		
1 ltr can	100.400	
2,5 ltr can	100.401	
5 ltr can	100.402	
20 ltr can	100.403	